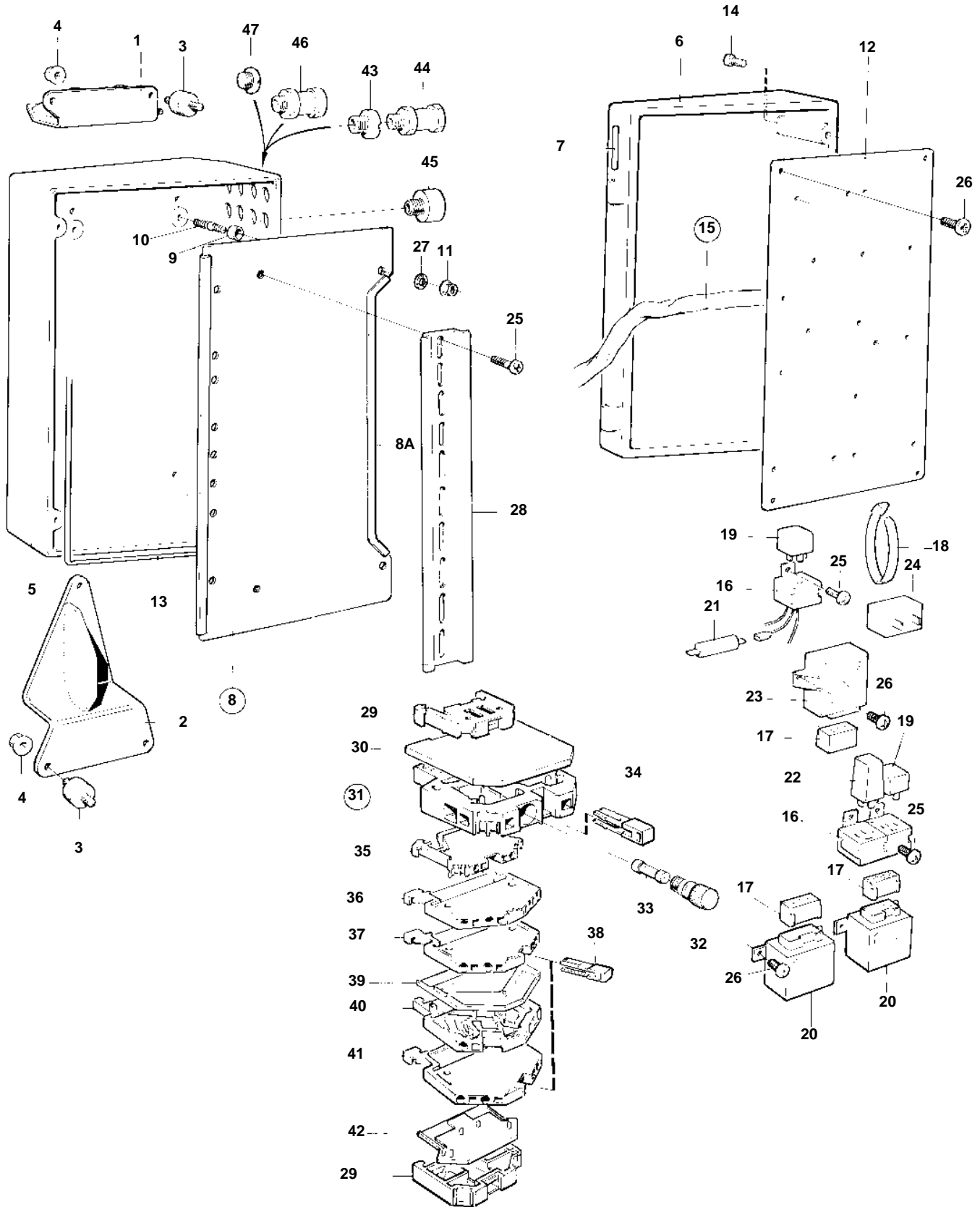


TAMD165C-A, TAMD165A-A



16383

## TAMD165C-A, TAMD165A-A

REF	PART NO.	QTY	DESCRIPTION	NOTES
1	849947	1	Anchorage	
2	849946	1	Anchorage	
3	863415	4	Rubber cushion	
4	945408	4	Flange nut	
5	862742	1	Box	
6	862148	1	Cover	
7		2	Spring pin	
8	866104	1	Attaching plate	
8A		X	· Sealing strip	
9	846339	4	Spacer sleeve	
10	924055	4	Stud	
11	945407	4	Flange nut	
12	862147	1	Plate	
13		X	Sealing strip	L=1222mm
14	969423	2	Screw	(956097)
15		1	Cable trunk	
16	977184	8	· Tab housing	
17	944076	3	· Receptacle housing	
18	948702	X	· Strip clamp	
19	9518230	7	Relay	
20	873140	2	Race gard	
21	20382270	2	Diode	(1578857)
22	862850	1	Voltage sensor	
23	873788	1	Electronic unit, exhaust	
24	837722	1	Resistor	
25	956074	8	Screw	
26	956091	8	Screw	
27	942605	1	Lock washer	
28		1	Rail	
29		2	Stop	
30		1	End plate	
31	872892	4	Fuse board	SO
32		4	· Fuse holder	
33	862962	4	Fuse	8 AMP
34		2	Brace	
35	872893	26	Terminal block	
36		4	Terminal block	MARKED 12,13,28,29
37	872895	5	Terminal block	BLUE, MARKED 14
38		7	Brace	
39		3	End plate	
40		7	Terminal block	MARKED 1,3,7,8,9,10,11
41		4	Terminal block	ORANGE, MARKED 2
42		2	End plate	
43	862885	1	Reducer sleeve, fresh water	
	862885	1	Reducer sleeve, exhaust temp	
44	881190	1	Cable union, exhaust temp	
45	872939	1	Adapter, electr box-altern-starter	
46	844576	X	Cable union	9,5-12,0mm, PR 18,6
	881191	X	Cable union	7,5-10,5mm, PR 18,6
	881192	X	Cable union	12,5-15,0mm, PR 22,5
	881193	X	Cable union	16,5-19,5mm, PR 28,3
47		X	Plug	PR 18,6
	843903	X	Plug	PR 22,5
	843904	X	Plug	PR 28,3