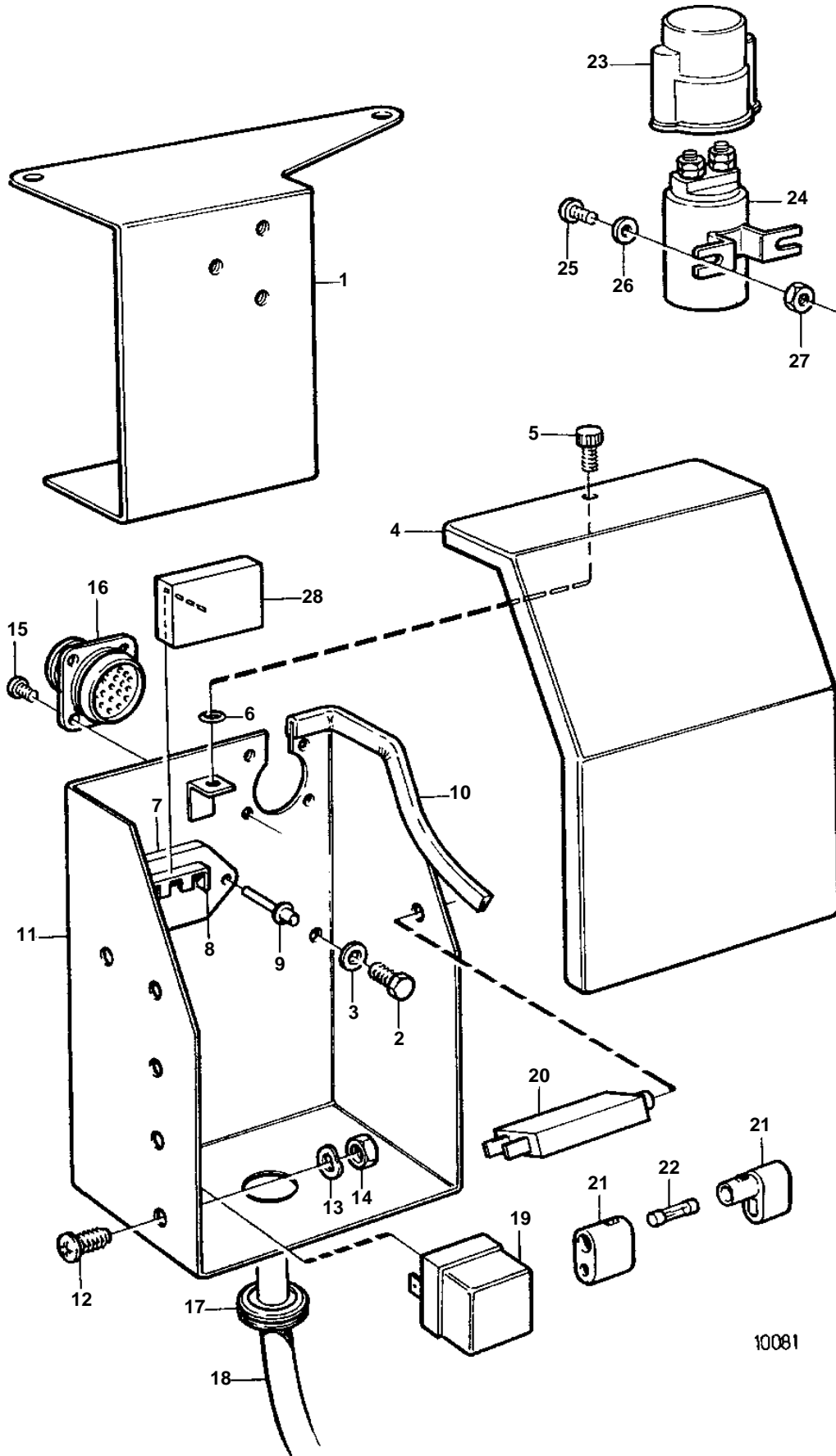


TAMD165C-A, TAMD165A-A, TAMD165P-A



TAMD165C-A, TAMD165A-A, TAMD165P-A

REF	PART NO.	QTY	DESCRIPTION	NOTES
1	863739	1	Bracket	
2	956091	3	Screw	
3	949607	3	Spring washer	
4		1	Cover	
5	846736	1	Lock screw	
6	925051	1	O-ring	
7	1234048	1	Lower section	
8	1234263	1	Pin	
9	942670	2	Rivet	
10	1214306	X	Protecting moulding	
11	846660	1	Electrical distribut	Replaced by 1eu distribution box 3825254.
12	956075	5	Screw	
13	941905	5	Spring washer	
14	955780	5	Nut	
15	955119	4	Screw	
16	846611	1	Sleeve connector	
17	943920	1	Protecting plug	(961962)
18	863839	1	Cable harness	
19	9518230	1	Relay	(4786690)
20	966689	2	Fuse	8A
21	966334	1	Fuse holder	
22	11433	1	Fuse	8A
23	1581123	1	Cover	
24	1577376	1	Relay	Replaced by 1ea relay 872962, 2ea cable shoes 881493 and 1ae attaching plate 866463.
25	955244	2	Screw	
26	940090	2	Washer	
27	963104	2	Nut	
28	9162425	1	Upper section	(1234264)