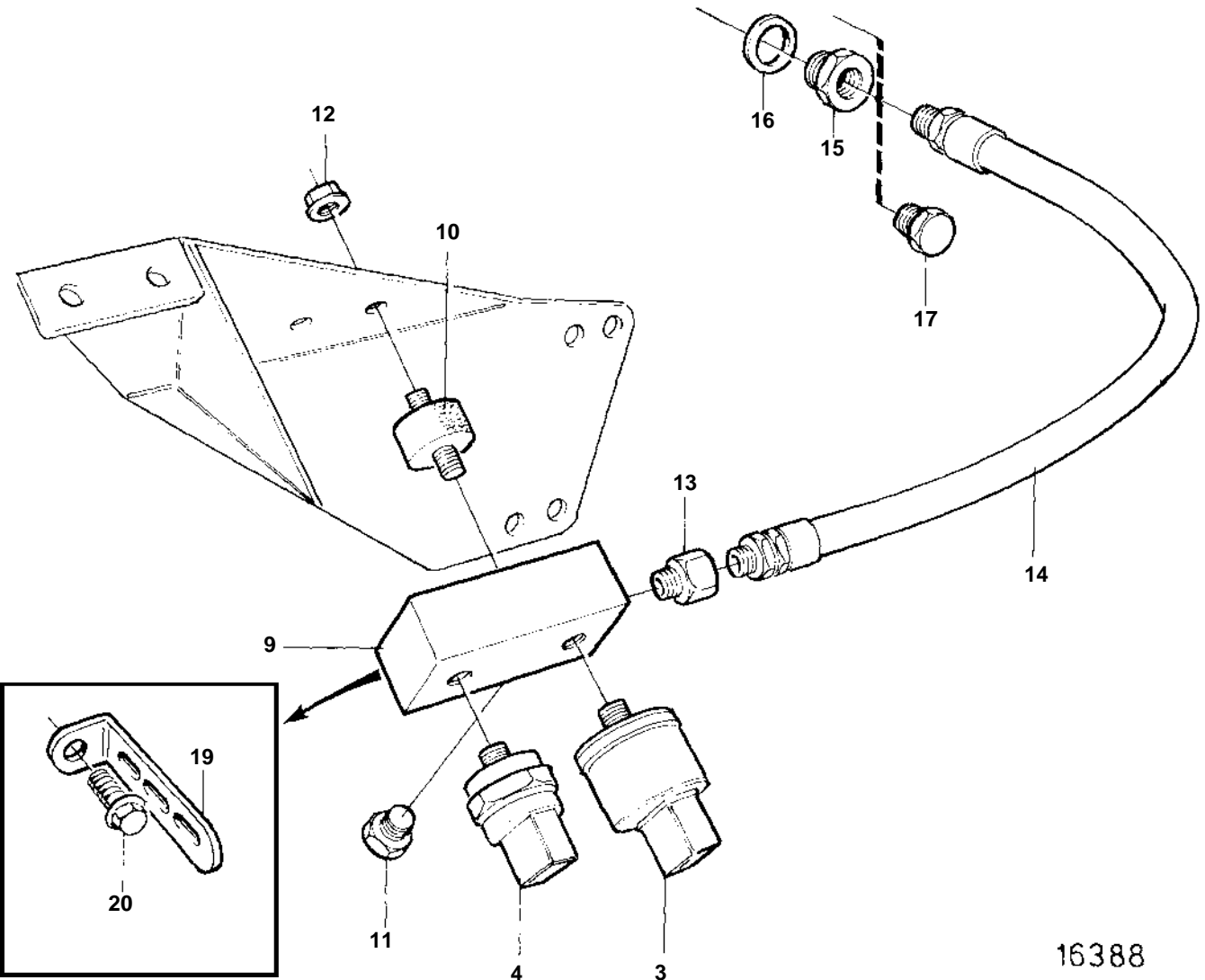
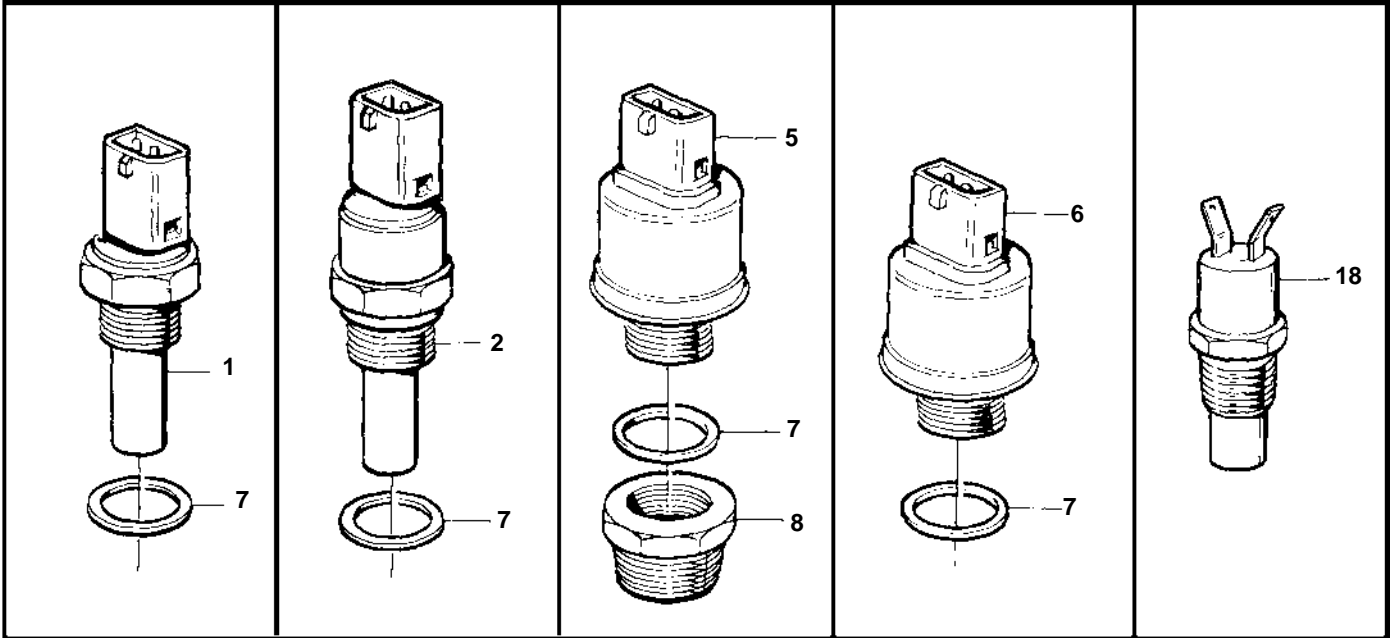


TAMD165C-A, TAMD165A-A, TAMD165P-A



16388

TAMD165C-A, TAMD165A-A, TAMD165P-A

| REF | PART NO. | QTY | DESCRIPTION | NOTES |
|-----|----------|-----|---|-------------------------|
| 1 | 862154 | 1 | Temperature sensor, coolant water temp. | |
| | 862567 | 1 | Temperature sensor, coolant water temp. | For double instruments. |
| 2 | 862250 | 1 | Thermo monitor, coolant water temp. | 97°C |
| | | | | SN-1101052183/XXXXX |
| | 858229 | 1 | Thermo monitor, coolant water temp. | 95°C |
| | | | | SN1101052184/XXXXX- |
| 3 | 866835 | 1 | Pressure sensor, oil-engine | |
| | 866836 | 1 | Pressure sensor, oil-engine | For double instruments. |
| 4 | 863169 | 1 | Pressure monitor, oil-engine | |
| 5 | 866839 | 1 | Pressure sensor, reverse gear | |
| 6 | 866837 | 1 | Pressure sensor, turbo | |
| 7 | 11998 | X | Gasket | |
| | 947624 | X | Gasket | |
| 8 | 180161 | 1 | Nipple | TWIN DISC MG516 |
| 9 | 866704 | 1 | Bracket | |
| 10 | 3574797 | 2 | Rubber cushion | |
| 11 | 479979 | 1 | Plug | |
| 12 | 949278 | 2 | Lock nut | |
| 13 | 180009 | 1 | Nipple | |
| 14 | 1507501 | 1 | Hose | |
| 15 | 421528 | 1 | Reduction nipple, cylinder block | TAMD163P-A |
| 16 | 947622 | 1 | Gasket | TAMD163P-A |
| 17 | 479979 | 1 | Plug | |
| 18 | 822859 | 1 | Thermo monitor, charge air temp-keel cool | TAMD162C-C, TAMD163A-A |
| 19 | 965558 | 1 | Bracket | ALT |
| 20 | 946440 | 1 | Flange screw | ALT |