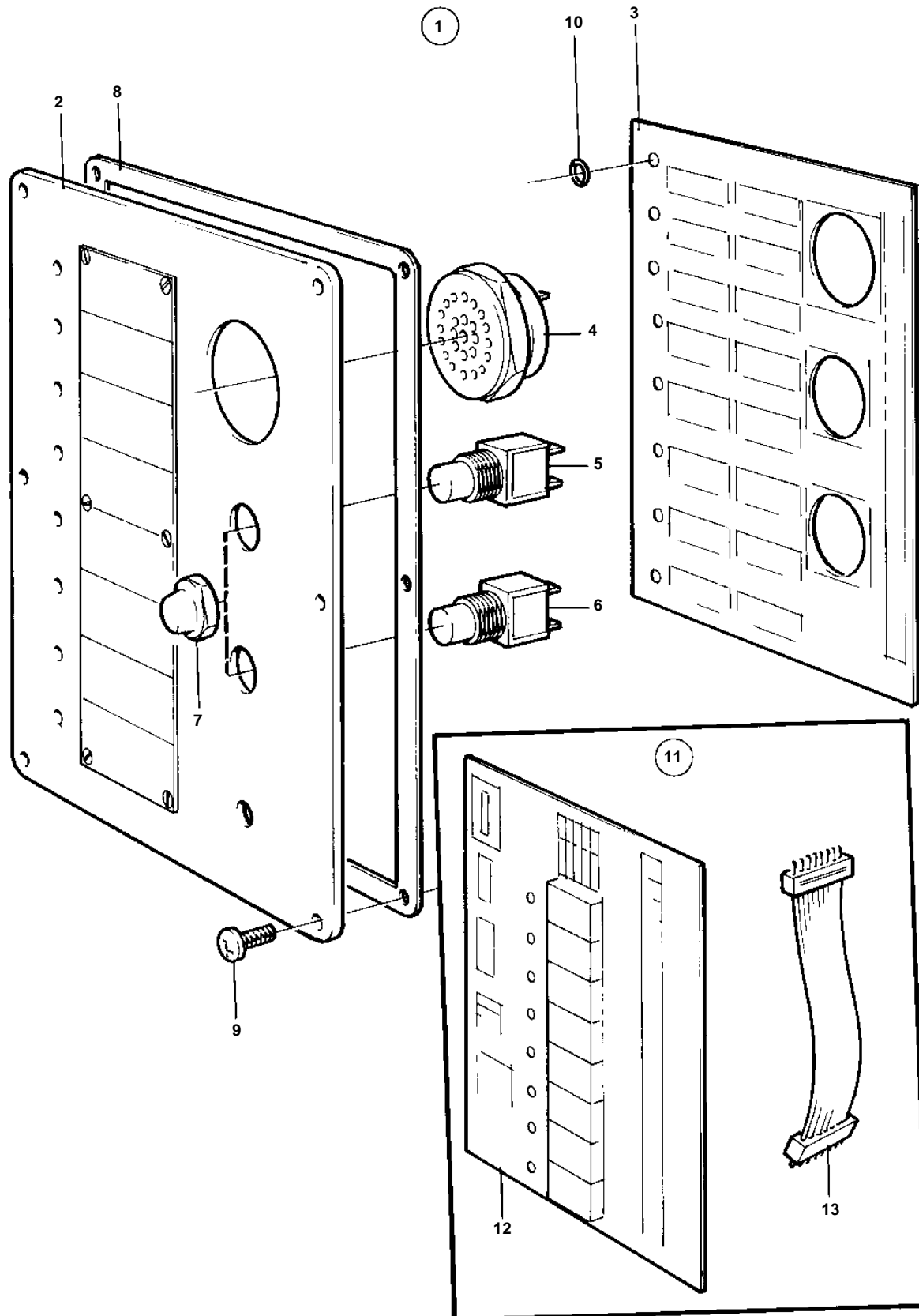


TAMD165C-A, TAMD165A-A



9349

TAMD165C-A, TAMD165A-A

| REF | PART NO. | QTY | DESCRIPTION | NOTES |
|-----|----------|-----|--------------------|---------------------|
| 1 | 873785 | 1 | Electronic unit | SN1101053655/XXXXX- |
| 2 | 862317 | 1 | · Front plate | |
| 3 | | 1 | · Circuit board | SN1101053655/XXXXX- |
| 4 | 828587 | 1 | · Buzzer | |
| 5 | 862719 | 1 | · Switch | |
| 6 | 828584 | 1 | · Switch | |
| 7 | 828586 | 2 | · Nut | |
| 8 | 862331 | 1 | · Gasket | |
| 9 | 862217 | 6 | · Screw | |
| 10 | 955978 | 9 | · Rubber ring | |
| 11 | 862793 | 1 | Circuit board | |
| 12 | | 1 | · Circuit board | |
| 13 | | 1 | · Connecting cable | |