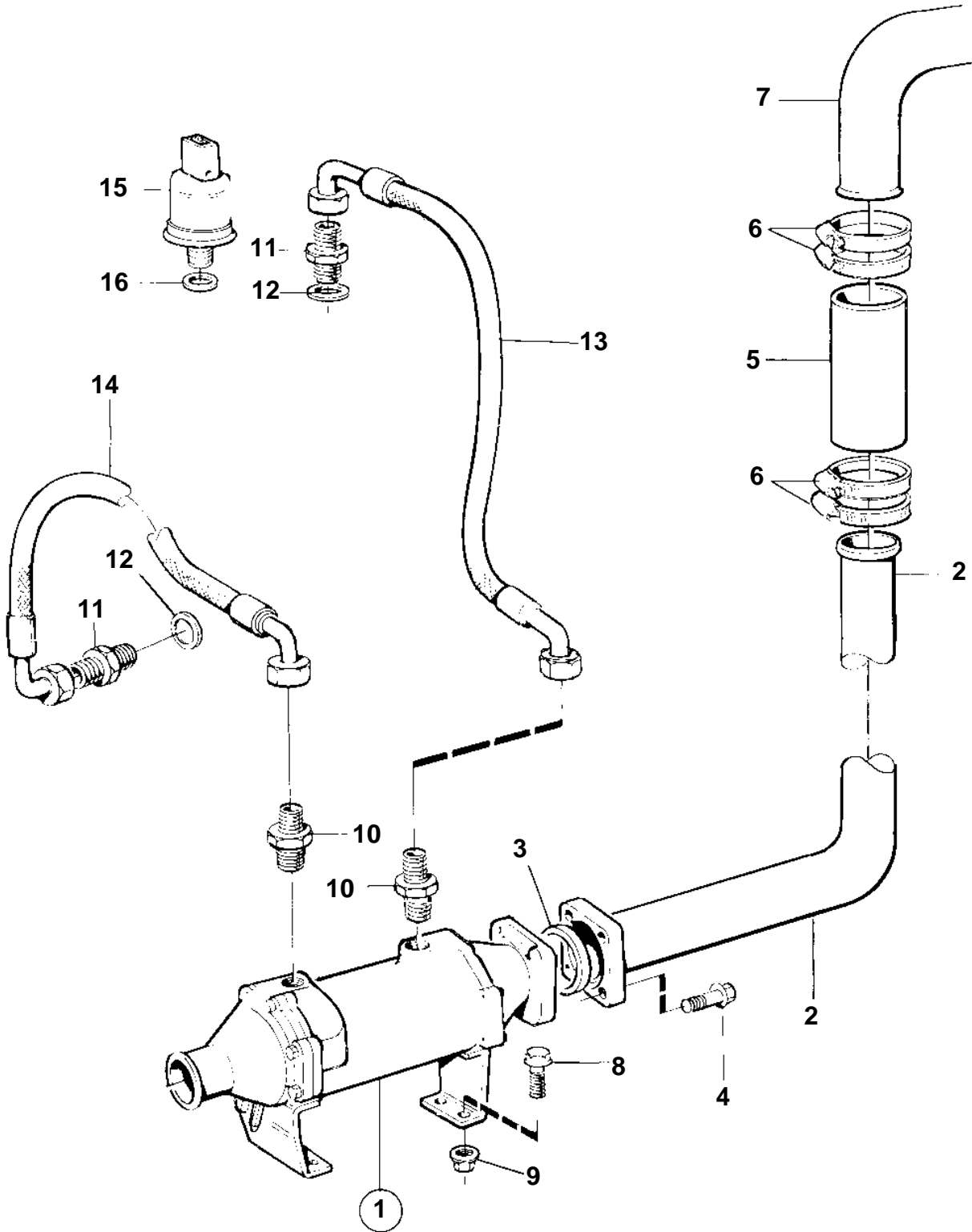


TAMD165P-A



TAMD165P-A

| REF | PART NO. | QTY | DESCRIPTION | SEE SEC. | NOTES |
|-----|----------|-----|----------------------------|----------|---------|
| 1 | 3825936 | 1 | Oil cooler | | |
| | | | | 1985 | |
| 2 | 866774 | 1 | Coolant pipe | | |
| 3 | 843584 | 1 | Sealing ring | | |
| 4 | 946173 | 4 | Flange screw | | |
| 5 | 952980 | X | Rubber hose, L=190mm | | |
| 6 | 961673 | 4 | Clamp | | |
| 7 | | 1 | Coolant pipeheat exchanger | 5334 | |
| 8 | 946472 | 4 | Screw | | |
| 9 | 971095 | 4 | Nut | | |
| 10 | 974337 | 2 | Nipple | | |
| 11 | 943988 | 2 | Nipple | | |
| 12 | 947629 | 2 | Gasket | | |
| 13 | 864073 | 1 | Oil hose | | L=420mm |
| 14 | 864074 | 1 | Oil hose | | L=700mm |
| 15 | 866839 | 1 | Pressure sensor, oil | | |
| 16 | 11998 | 1 | Gasket | | |