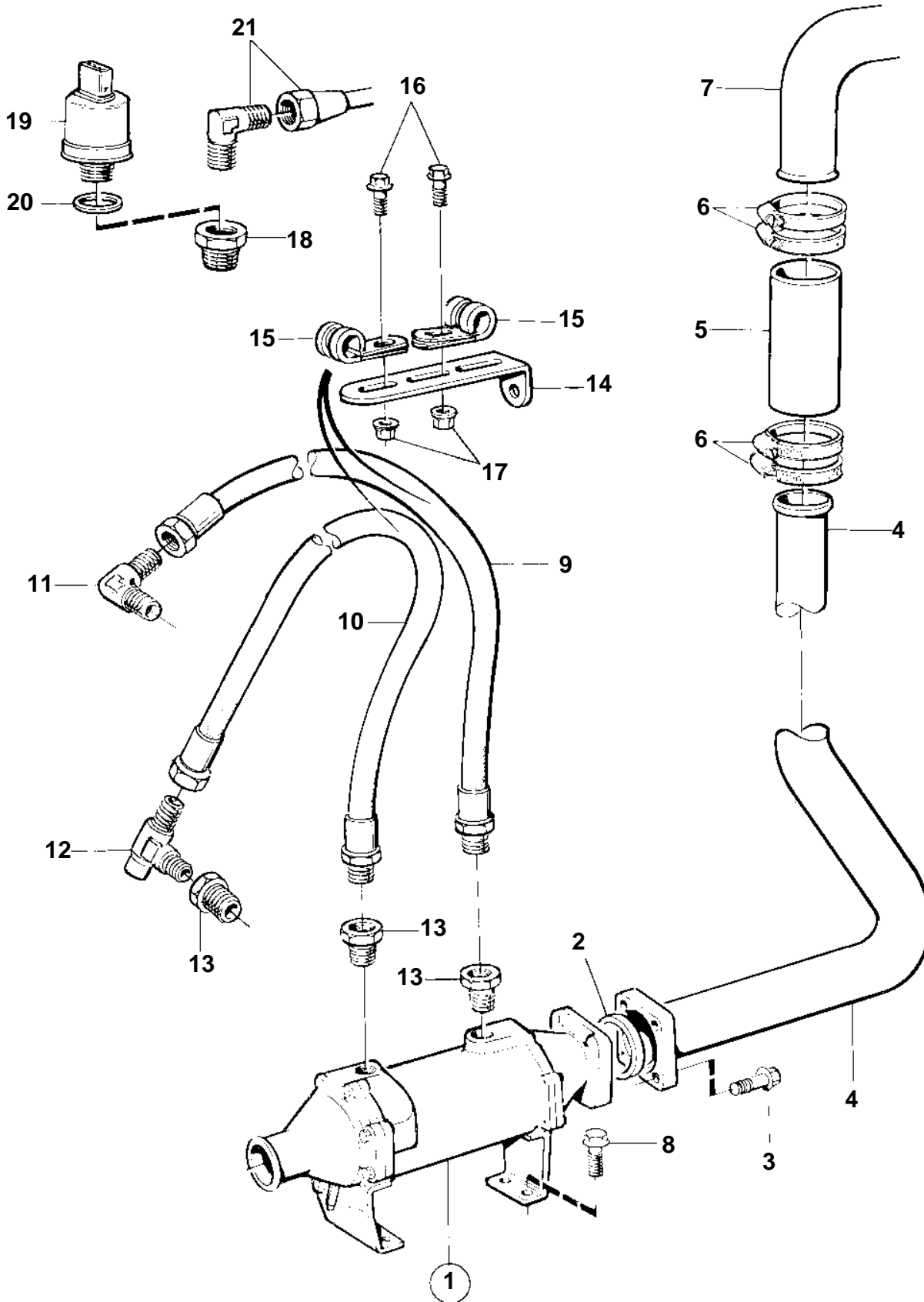


TAMD165C-A, TAMD165A-A



TAMD165C-A, TAMD165A-A

REF	PART NO.	QTY	DESCRIPTION	SEE SEC.	NOTES
1	3825936	1	Oil cooler		
				1985	
2	843584	1	Sealing ring		
3	946173	4	Flange screw		
4	866773	1	Coolant pipe		
5	952980	X	Rubber hose, L=190mm		
6	961673	4	Clamp		
7	866771	1	Coolant pipe, L=965mm		K.C
	866772	1	Coolant pipe, L=1172mm		HEAT EX. (973083)
8	946329	4	Flange screw		L=1300mm
9	863649	1	Lube oil hose		L=1550mm
10	862156	1	Hose		
11	837063	1	Elbow union		
12	824479	1	Elbow union		
13	949707	3	Nipple		
14	965559	1	Bracket		
15	952637	2	Clamp		
16	946544	2	Flange screw		
17	945407	2	Flange nut		
18	942919	1	Nipple		
19	866839	1	Pressure sensor, oil		STD
20	11998	1	Gasket		ALT
	947624	1	Gasket		ALT
21		1	Pressure sensoroil	5396	CLASSIFIABLE