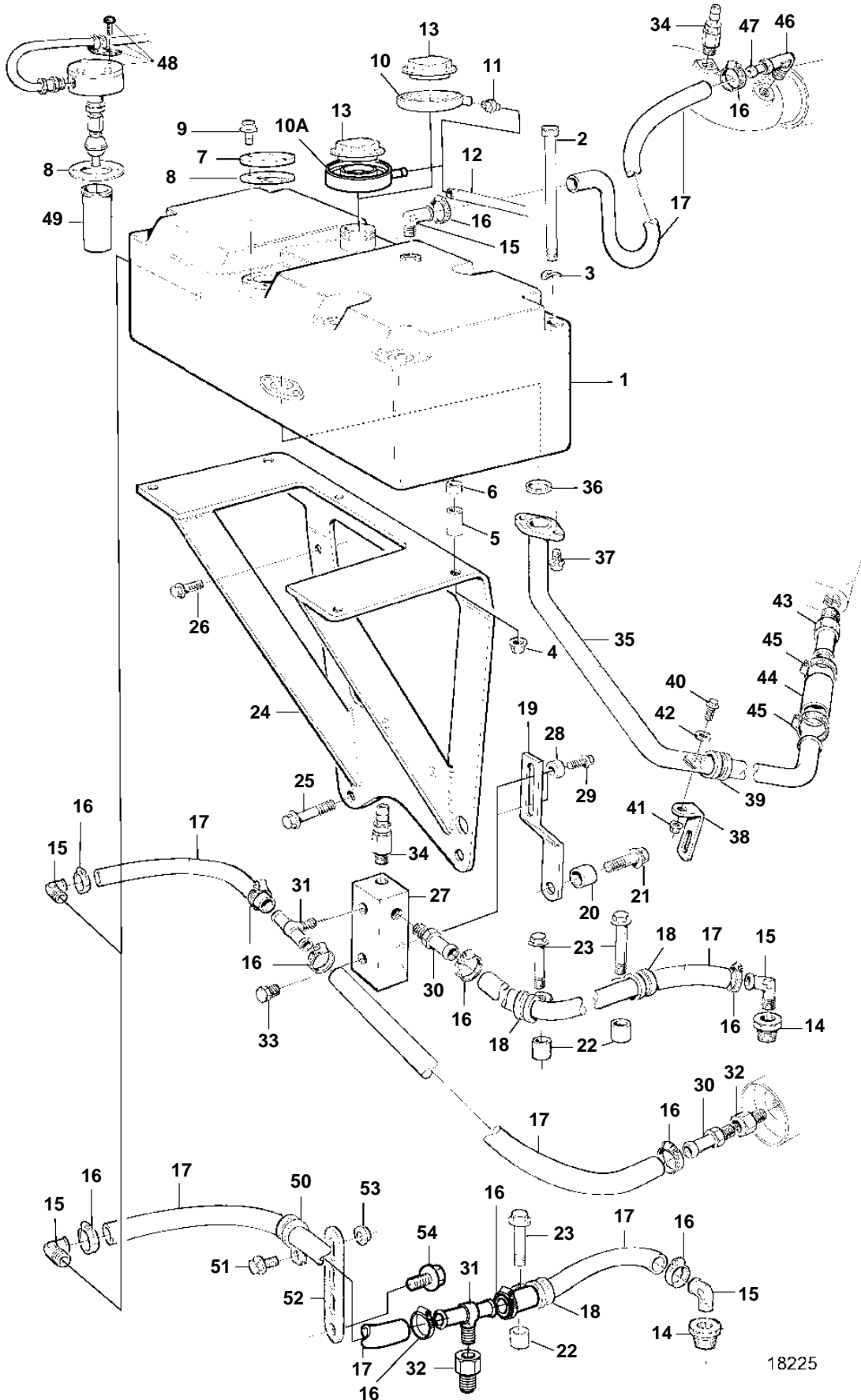


TAMD165A-A



TAMD165A-A

| REF | PART NO. | QTY | DESCRIPTION | SEE SEC. | NOTES |
|-----|----------|-----|----------------------------|----------|-----------------------------------|
| 1 | 866767 | 1 | Expansion tank | | |
| 2 | 973253 | 4 | Screw | | |
| 3 | 941908 | 4 | Spring washer | | |
| 4 | 971095 | 4 | Nut | | |
| 5 | 845884 | 4 | Spacer sleeve | | |
| 6 | 842930 | 4 | Spacer sleeve | | |
| 7 | 843760 | 1 | Cover | | |
| 8 | 863715 | 1 | Gasket | | |
| 9 | 965199 | 4 | Screw | | |
| 10 | 1196982 | 1 | Seal | | SN-1101052283/XXXXX |
| 10A | 3828863 | 1 | Rubber collar | | SN1101052284/XXXXX- (11110005) |
| 11 | | 1 | Nipple | | SN-1101052283/XXXXX |
| 12 | 192618 | X | Hose | | L=1100mm |
| 13 | 1674083 | 1 | Pressure cap | | |
| 14 | 479954 | 1 | Nipple, exhaust manifold | | |
| 15 | 942758 | 3 | Nipple | | |
| 16 | 943470 | 8 | Hose clamp | | |
| 17 | 943367 | X | Hose | | |
| 18 | 949747 | 2 | Clamp | | |
| 19 | 836348 | 1 | Bracket | | |
| 20 | 829653 | 1 | Spacer sleeve | | |
| 21 | 965186 | 1 | Flange screw | | |
| 22 | 820506 | 2 | Spacer sleeve | | |
| 23 | 965184 | 2 | Screw | | |
| 24 | 862548 | 1 | Bracket | | |
| 25 | 965189 | 4 | Flange screw | | |
| 26 | 965179 | 1 | Flange screw | | |
| 27 | 866704 | 1 | Bracket | | |
| 28 | 807183 | 2 | Spacer sleeve | | |
| 29 | 947542 | 2 | Screw | | |
| 30 | 942722 | 2 | Nipple | | |
| 31 | 948092 | 1 | Nipple | | |
| 32 | 862109 | 1 | Nipple, collecting pipe | | |
| 33 | 479979 | 1 | Plug | | |
| 34 | 966871 | 2 | Tap | | |
| 35 | 3825521 | 1 | Coolant pipe | | |
| 36 | 862637 | 1 | Gasket | | |
| 37 | 946173 | 2 | Flange screw | | |
| 38 | 965555 | 1 | Bracket, timing gear cover | | |
| 39 | 952634 | 1 | Clamp | | |
| 40 | 946934 | 1 | Flange screw | | |
| 41 | 949278 | 1 | Lock nut | | |
| 42 | 960140 | 1 | Washer | | |
| 43 | 941845 | 1 | Nipple, water pump | | |
| 44 | 944386 | X | Hose | | L=60mm |
| 45 | 961667 | 2 | Hose clamp | | |
| 46 | 479953 | 1 | Elbow nipple | | (180283) |
| 47 | 865754 | 1 | Orifice sleeve | | |
| 48 | | 1 | Level sensor | 5398 | |
| 49 | | 1 | Splash pipe | 5398 | |
| | | | | | |
| | | | | | |
| | | | | | |
| | | | | | |