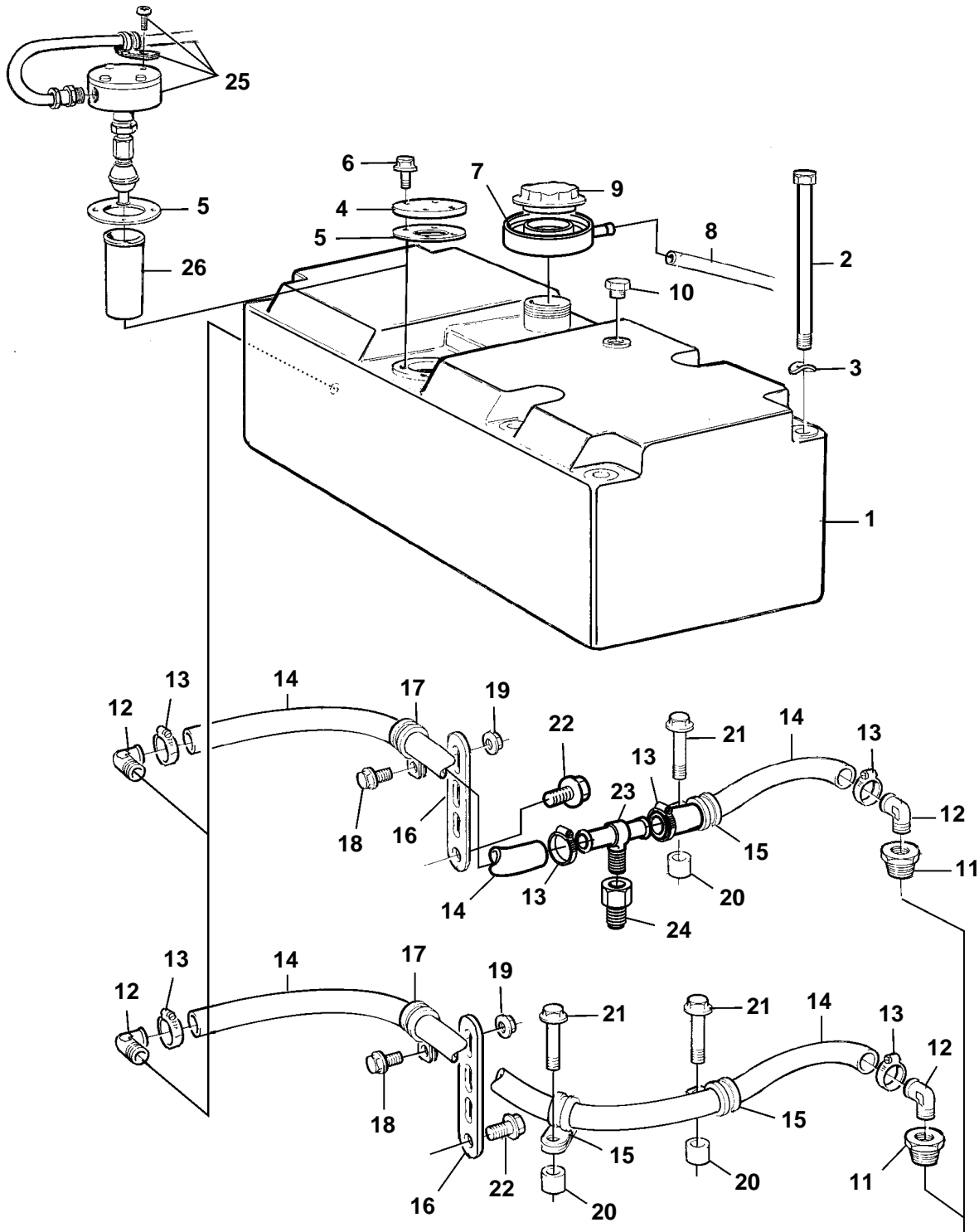


TAMD165P-A



18223

TAMD165P-A

REF	PART NO.	QTY	DESCRIPTION	SEE SEC.	NOTES
1	866767	1	Expansion tank		
2	970966	6	Screw		
3	941908	6	Spring washer		
4	843760	1	Cover		
5	863715	1	Gasket		
6	965199	4	Screw		
8	192618	X	Hose		L=1100mm
9	1674083	1	Pressure cap		
10	861551	1	Plug		
11	479954	1	Nipple, exhaust manifold		
12	942758	2	Nipple		
13	943470	4	Hose clamp		
14	943367	X	Hose		
15	949747	1	Clamp		
16	965545	1	Bracket		
17	952630	1	Clamp		
18	967949	1	Screw		(965175)
19	949278	1	Lock nut		
20	820506	1	Spacer sleeve		
21	965184	1	Screw		
22	946379	1	Screw, timing gear cover		(973083)
23	948092	1	Nipple		
24	862109	1	Nipple, collecting pipe		
25		1	Level sensor	5398	
26		1	Splash pipe	5398	