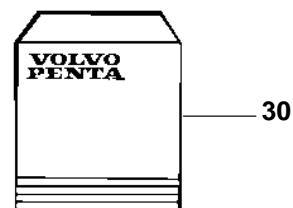
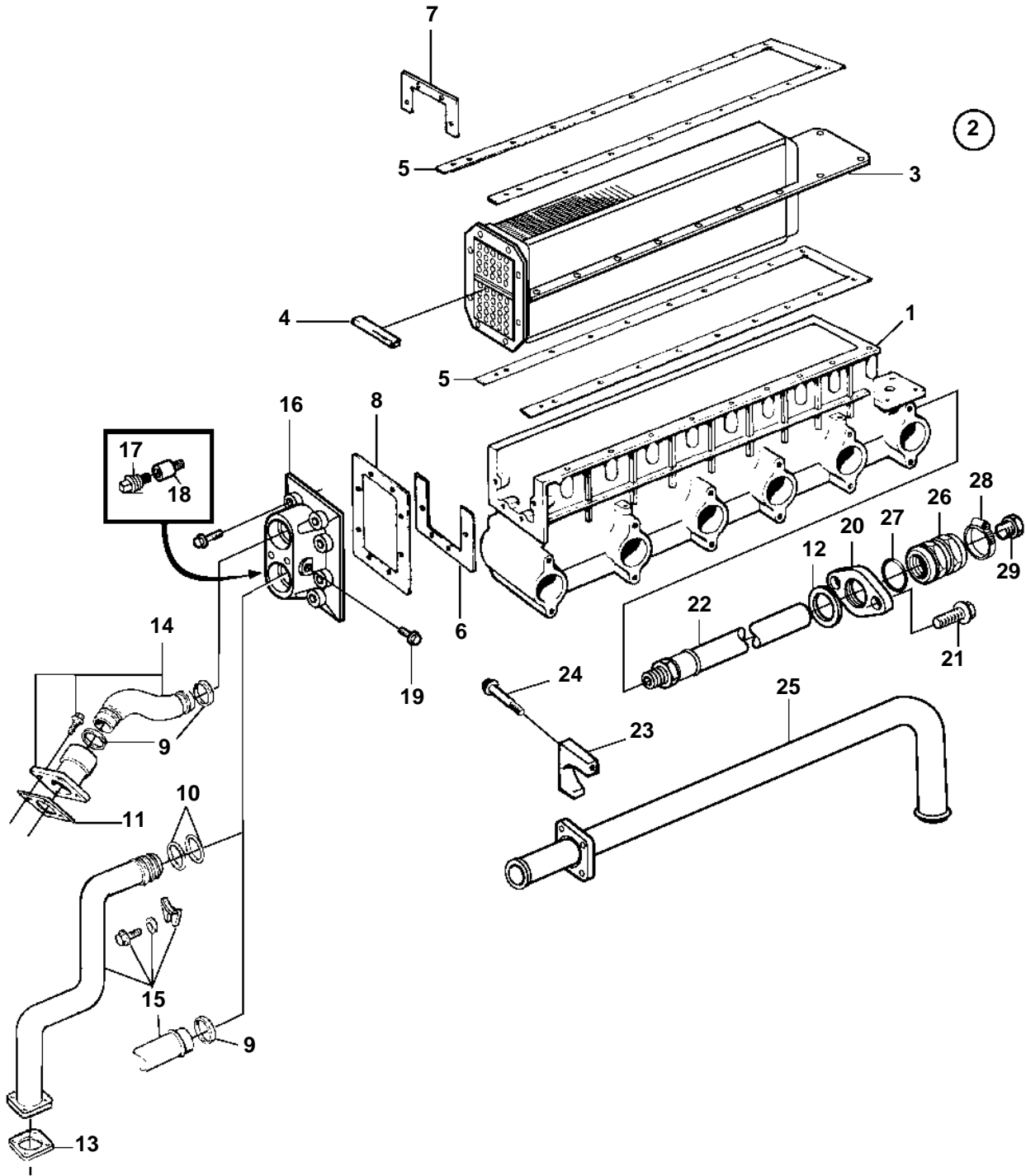


TAMD165P-A



TAMD165P-A

REF	PART NO.	QTY	DESCRIPTION	SEE SEC.	NOTES
1		1	Inlet pipe	5323	
2	877389	1	Intercooler kit		
3	3836030	1	• Intercooler		
4		1	• • Sealing strip	5323	
5		2	• Gasket	5323	
6		1	• Gasket	5323	
7		1	• Gasket	5323	
8		1	• Gasket	5323	
9	863209	X	• Sealing ring		
10	925072	X	• O-ring		
11	842137	1	• Gasket		
12	949722	1	• O-ring		
13	862583	1	Gasket		
14		1	Connectorheat exchanger	5334	
15		1	Connectorsea water pump	5357	
16		1	Cover	5323	
17	838928	1	Plug		
18	838929	1	Zinc anod		
19	981749	1	Plug		(180759)
20	3836047	1	Cover		Included in after cooler kit 877389.
21	946173	2	Flange screw		
22	3837350	1	Hose		Included in after cooler kit 877389.
23	849401	2	Clamp		For engines in with keel cooling.
24	965178	2	Flange screw		For engines in with keel cooling.
25	866772	1	Coolant pipe, oil cooler-rev.gear		For engine mounted heat exchanger.
26	874583	1	Cable union		Included in after cooler kit 877389.
27	941705	1	• O-ring		Included in after cooler kit 877389.
28	961663	1	Clamp		Included in after cooler kit 877389.
29	3582636	1	Plug		Included in after cooler kit 877389.
30		1	Gasket kit	5323	For mounting of the charge air cooler insert.. For mounting of the inlet manifold.