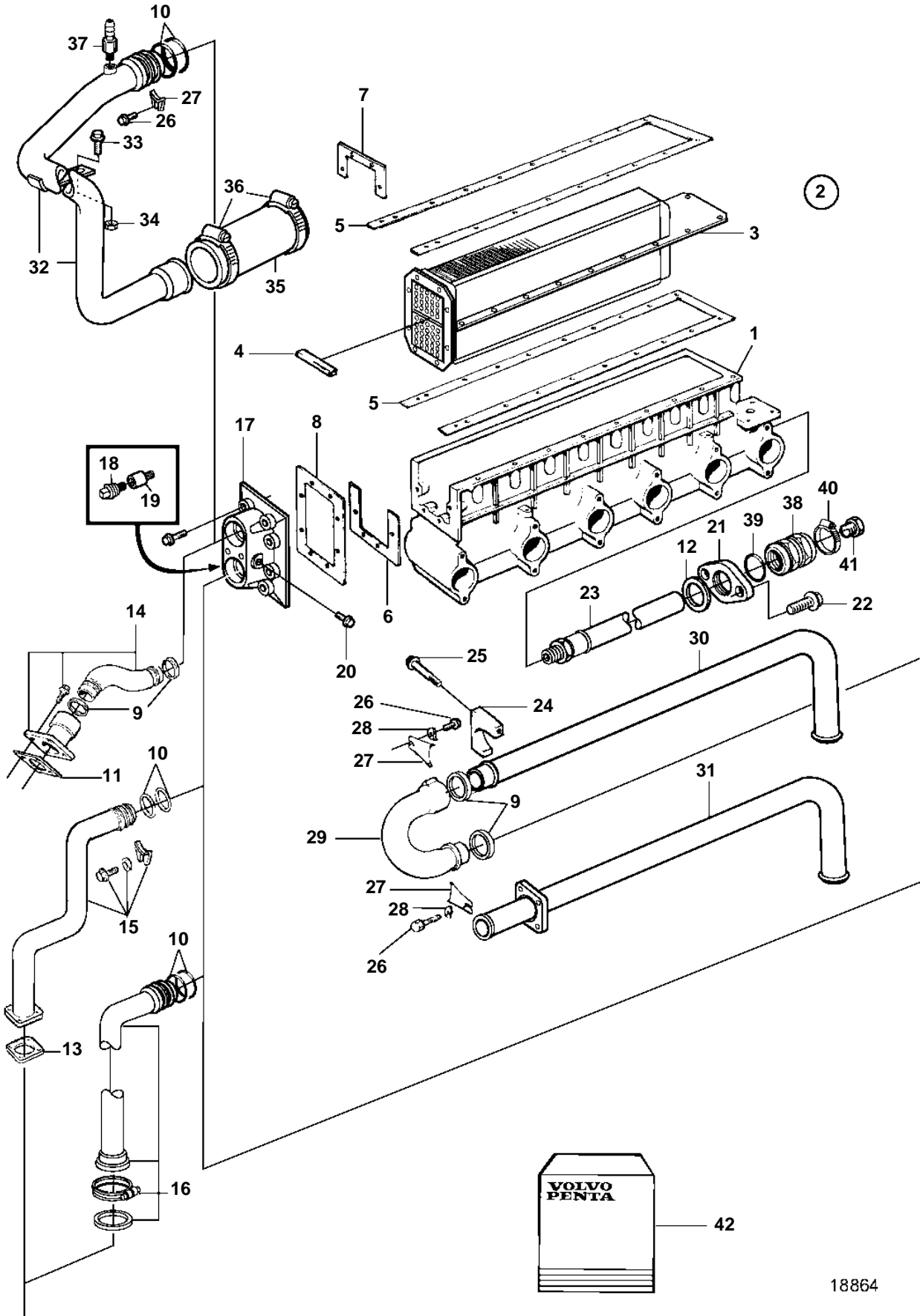


TAMD165C-A



TAMD165C-A

REF	PART NO.	QTY	DESCRIPTION	SEE SEC.	NOTES
1		1	Inlet pipe	5322	
2	877389	1	Intercooler kit		
3	3836030	1	• Intercooler		Included in after cooler kit 877389.
4		1	• • Sealing strip	5322	Included in after cooler kit 877389.
5		2	• Gasket	5322	Included in after cooler kit 877389.
6		1	• Gasket	5322	Included in after cooler kit 877389.
7		1	• Gasket	5322	Included in after cooler kit 877389.
8		1	• Gasket	5322	Included in after cooler kit 877389.
9	863209	X	• Sealing ring		Included in after cooler kit 877389.
10	925072	2	• O-ring		Included in after cooler kit 877389.
11	842137	1	• Gasket		Included in after cooler kit 877389.
12	949722	1	• O-ring		Included in after cooler kit 877389.
13	862583	1	• Gasket		
14		1	Connectorheat exchanger	5334	
15		1	Connectorsea water pump	5356	
16		1	Connectorsea water pump	5358	
17		1	Cover	5322	
18	838928	1	Plug		
19	838929	1	Zinc anod		
20	981749	1	Plug		(180759)
21	3836047	1	Cover		
22	946173	2	Flange screw		
23	3837350	1	Hose		Included in after cooler kit 877389.
24	849401	2	Clamp		For engines in with keel cooling.
25	965178	2	Flange screw		For engines in with keel cooling.
26	944926	3	Flange screw		For engines in with keel cooling.
27	864559	3	Clamp		For engines in with keel cooling.
28	976944	2	Washer		For engines in with keel cooling.
29	3828867	1	Riser		For keel cooled engines and auxiliary engines with heat exchanger, but without sea water pump.
30	866771	1	Coolant pipe, oil cooler-rev.gear		For engines in with keel cooling.
31	866772	1	Coolant pipe, oil cooler-rev.gear	5334	For engine mounted heat exchanger.
32	866579	1	Coolant pipe		For engines in with keel cooling.
33	946329	2	Flange screw		
34	971095	2	Nut		
35	949540	X	Hose, circulation pump		L=85mm
36	961673	2	Clamp		
37	966871	1	Tap		
38	874583	1	Cable union		Included in after cooler kit 877389.
39	941705	1	• O-ring		Included in after cooler kit 877389.
40	961663	1	Clamp		Included in after cooler kit 877389.
41	3582636	1	Plug		Included in after cooler kit 877389.
42		1	Gasket kit	5322	For mounting of the charge air cooler insert.. For mounting of the inlet manifold.