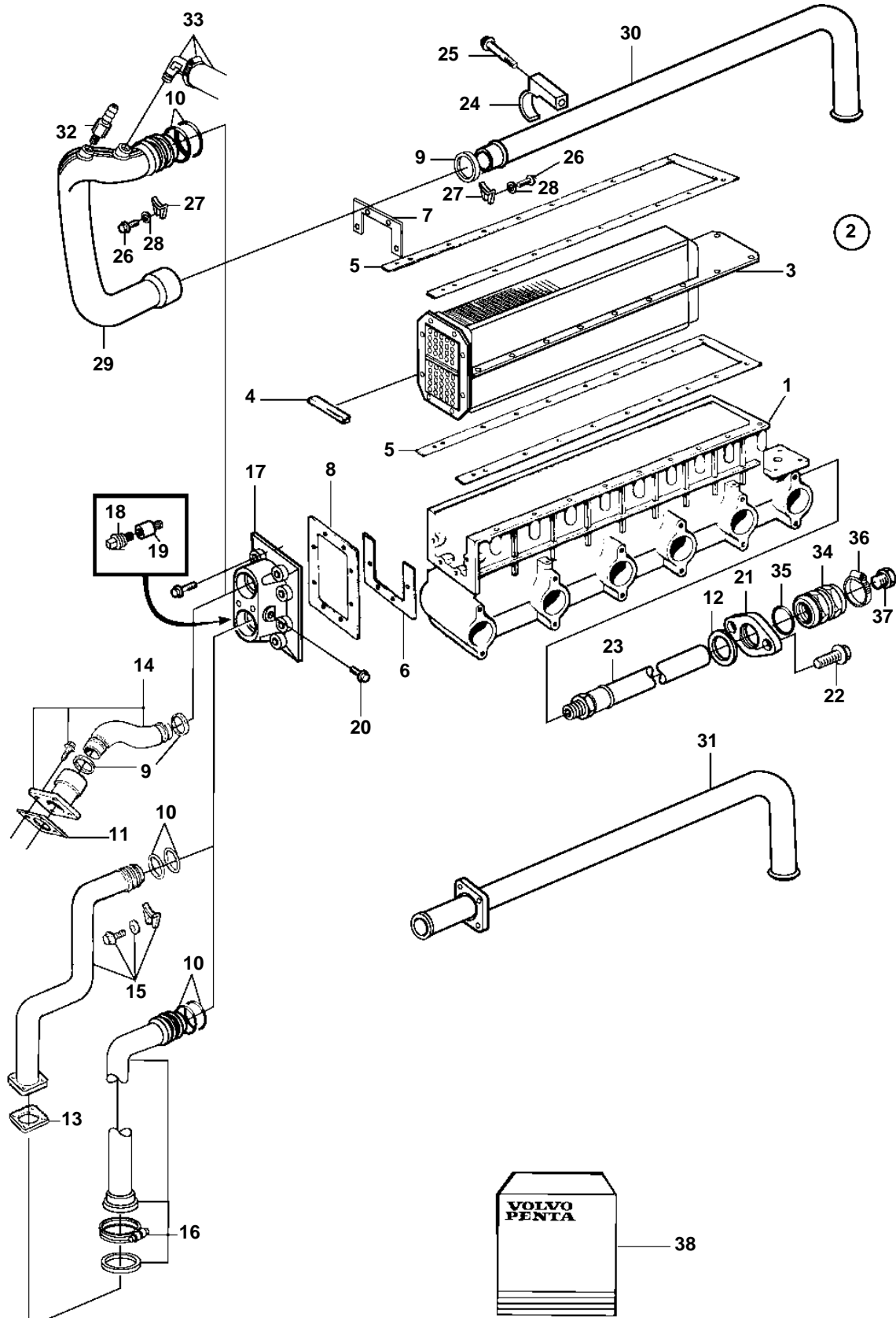


TAMD165A-A



18867

TAMD165A-A

REF	PART NO.	QTY	DESCRIPTION	SEE SEC.	NOTES
1		1	Inlet pipe	5323	
2	877389	1	Intercooler kit		
3		1	• Intercooler		
4		1	• • Sealing strip	5323	
5		2	• Gasket	5323	
6		1	• Gasket	5323	
7		1	• Gasket	5323	
8		1	• Gasket	5323	
9	863209	X	• Sealing ring		Included in after cooler kit 877389.
10	925072	X	• O-ring		Included in after cooler kit 877389.
11	842137	1	• Gasket		Included in after cooler kit 877389.
12	949722	1	• O-ring		Included in after cooler kit 877389.
13	862583	1	• Gasket		Included in after cooler kit 877389.
14		1	Connectorheat exchanger	5334	
15		1	Connectorsea water pump	5357	
16		1	Connectorsea water pump	5358	
17		1	Cover	5323	
18	838928	1	Plug		
19	838929	1	Zinc anod		
20	981749	1	Plug		(180759)
21	3836047	1	Cover		Included in after cooler kit 877389.
22	946173	2	Flange screw		
23	3837350	1	Hose		Included in after cooler kit 877389.
24	849401	2	Clamp		For engines in with keel cooling.
25	965178	2	Flange screw		For engines in with keel cooling.
26	944926	2	Flange screw		For engines in with keel cooling.
27	864559	2	Clamp		For engines in with keel cooling.
28	976944	2	Washer		For engines in with keel cooling.
29	3825919	1	Riser		For engines in with keel cooling.
30	866771	1	Coolant pipe, oil cooler-rev.gear		For engines in with keel cooling.
31	866772	1	Coolant pipe, oil cooler-rev.gear		For engine mounted heat exchanger.
32	966871	1	Tap		
33			Connectorexansion tank	5346	
34	874583	1	Cable union		Included in after cooler kit 877389.
35	941705	1	• O-ring		Included in after cooler kit 877389.
36	961663	1	Clamp		Included in after cooler kit 877389.
37	3582636	1	Plug		Included in after cooler kit 877389.
38		1	Gasket kit	5323	For mounting of the charge air cooler insert.. For mounting of the inlet manifold.