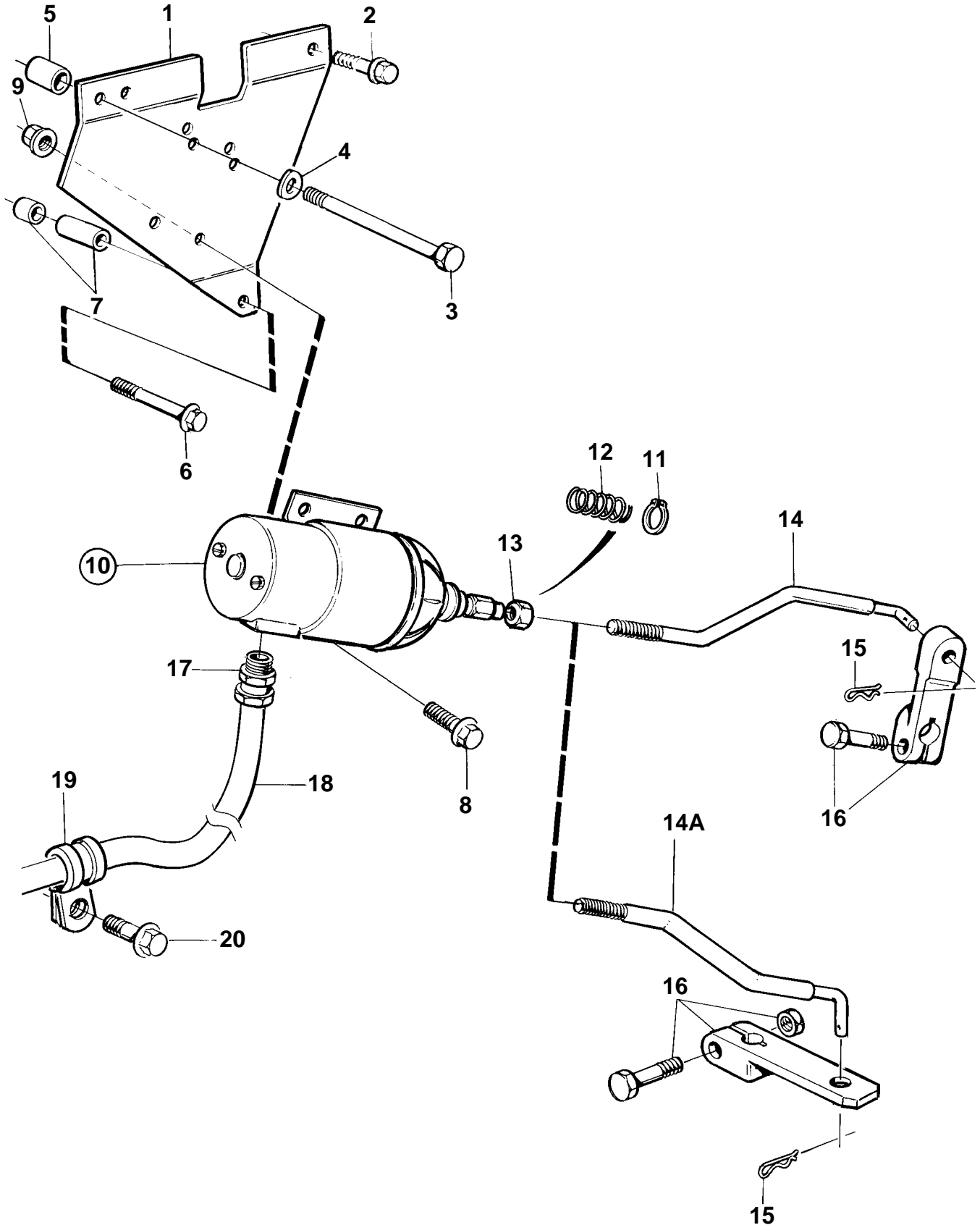


TAMD165A-A



TAMD165A-A

REF	PART NO.	QTY	DESCRIPTION	NOTES
1	849456	1	Bracket	
2	946173	1	Flange screw	
3	968303	1	Screw	
4	941907	1	Spring washer	
5	849095	1	Sleeve	L=16mm
6	965182	1	Flange screw	
7	821539	1	Spacer sleeve	L=14mm, ALT
	821541	1	Sleeve	L=37mm
8	946440	4	Flange screw	
9	945408	4	Flange nut	
10	872825	1	Stop solenoid, 5/16"-UNF	
11	914456	1	· Lock ring	
12		1	· Return spring	TH=1,4mm. Deleted as spare part and will be replaced by 847009.
	847009	1	· Return spring	TH = 1,6mm
13	955857	1	Nut	
14	863119	1	Pull rod	
15	907824	1	Cotter pin	
16		1	Connectorfuel inj. pump	SEE GROUP 23
17	844576	1	Cable union	
18	842091	1	Cable	2x2,5 sq.mm, L=3100mm
19	942651	1	Clamp, starter cover	
20	947760	1	Flange screw, starter cover	