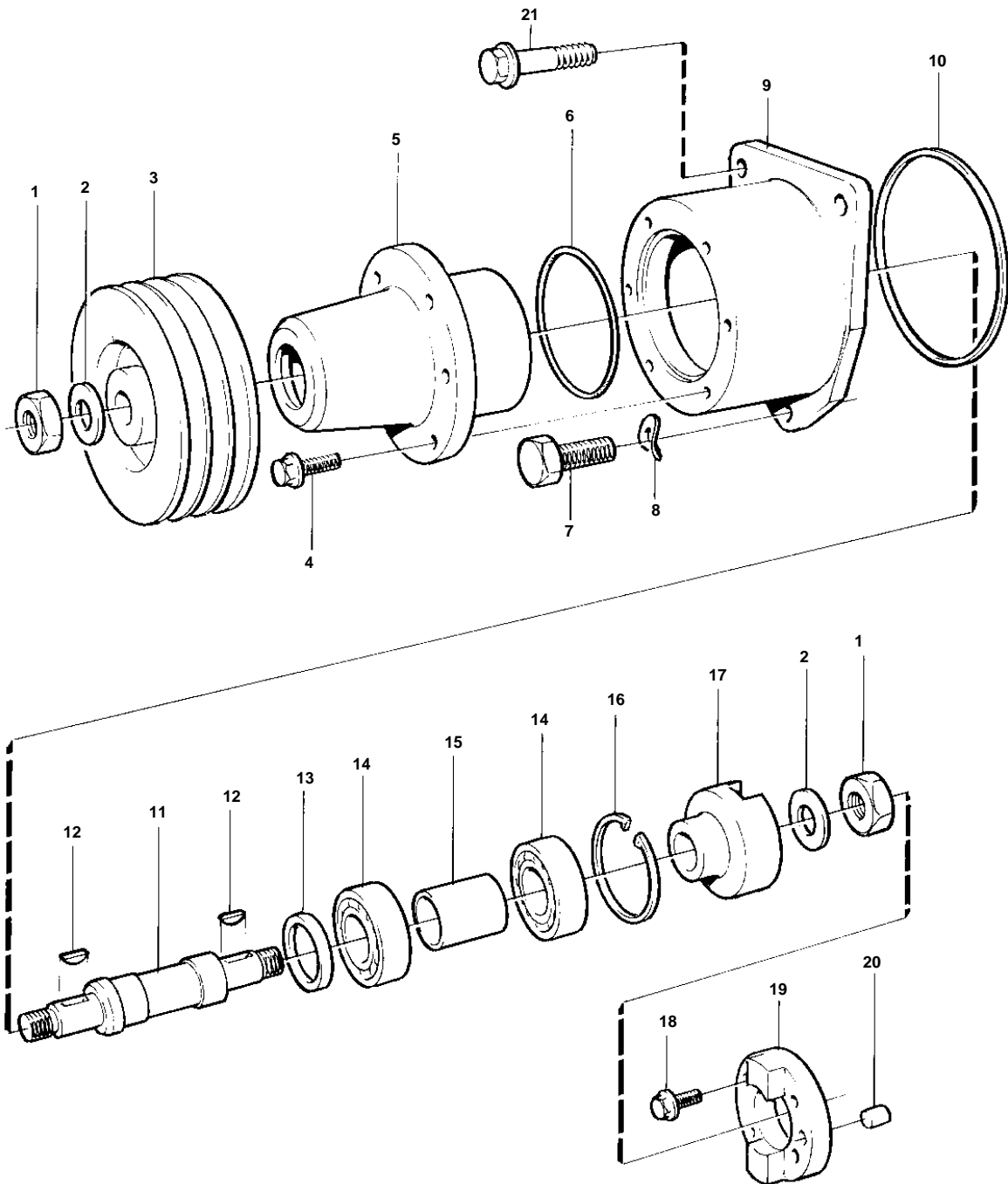


TAMD165C-A, TAMD165A-A, TAMD165P-A



TAMD165C-A, TAMD165A-A, TAMD165P-A

REF	PART NO.	QTY	DESCRIPTION	NOTES
1	955860	2	Nut	
2	942735	2	Lock washer	
3	863652	1	V-belt pulley	
4	946173	6	Flange screw	
5	821067	1	Bearing housing	
6	925095	1	O-ring	
7	970995	1	Screw	
8	941911	1	Spring washer	
9	862041	1	Spacer flange	
10	975610	1	O-ring	
11	821068	1	Shaft	
12	942406	2	Key	
13	958858	1	Sealing ring	
14	11013	2	Ball bearing	
15	821072	1	Spacer sleeve	
16	914533	1	Snap ring	
17	820960	1	Dog clutch	
18	955271	4	Screw, gear-sea water pump	
19	821071	1	Companion flange, gear-sea water pump	
20	950564	1	Pin, gear-sea water pump	
21	966369	2	Flange screw	L=120mm