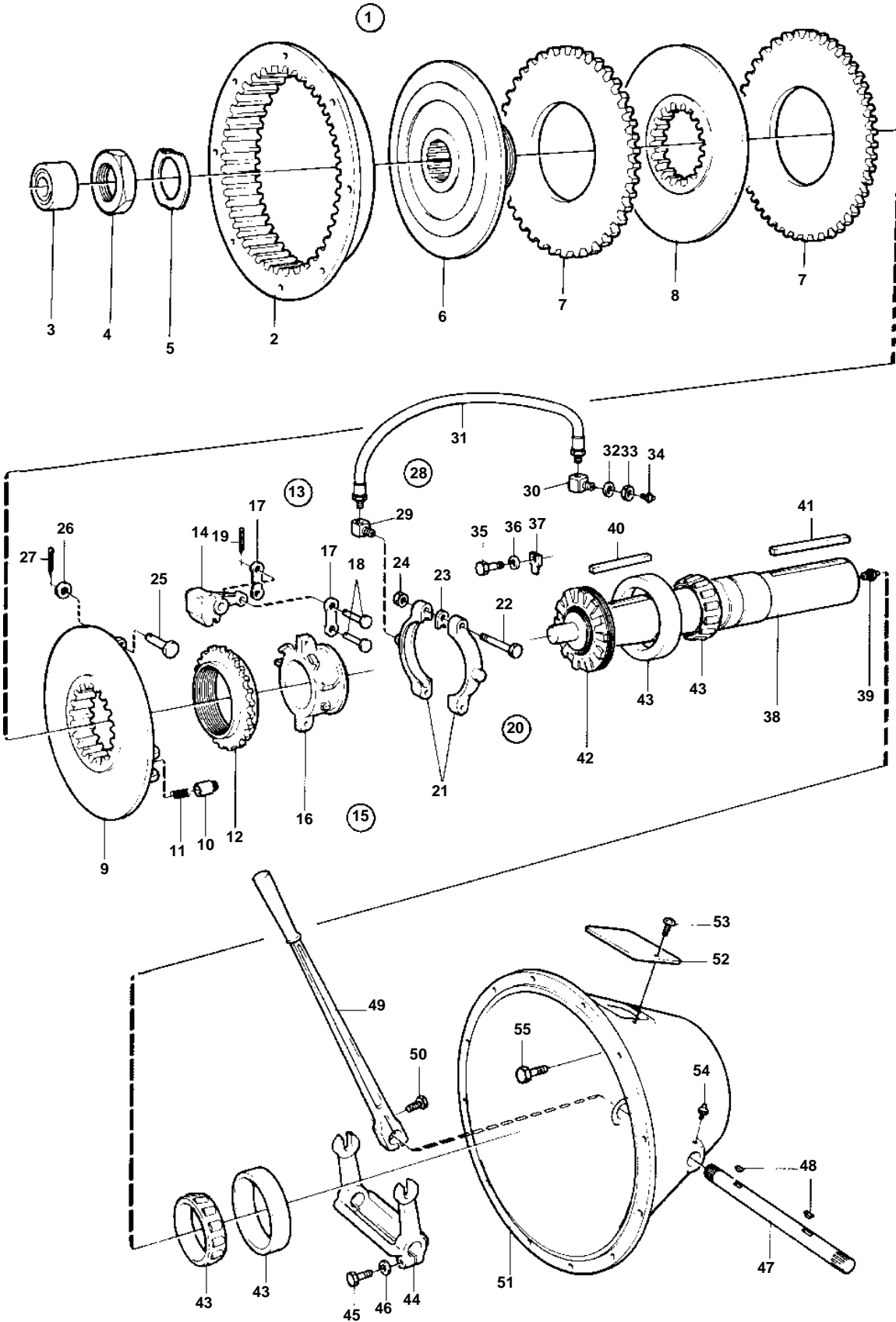


TAMD165C-A, TAMD165A-A, TAMD165P-A



TAMD165C-A, TAMD165A-A, TAMD165P-A

REF	PART NO.	QTY	DESCRIPTION	NOTES
1	845705		Clutch	SP211
2	848107	1	Drive ring	
3	806596	1	Ball bearing	
4		1	Nut	
5		1	Washer	
6		1	Hub	
7	848109	2	Disc	
8		1	Plate	
9		1	Disc	
10		1	Pin	
11	848116	1	Spring	
12		1	Adjusting ring	
13		1	Throw-out bearing	
14	806127	3	· Lever	
15		1	· Sliding sleeve	
16	848112		· Sleeve	
17	806122	6	· · Link	
18	806123	6	· · Shaft	
19	907849	6	· · Cotter pin	
20	848126	1	· · Stop ring	
21		1	· · Collar	
22		2	· · Screw	
23		2	· · Washer	
24		2	· · Nut	
25		3	Pin	
26		6	Washer	
27	907861	3	Cotter pin	
28		1	Hose	
29		1	· Nipple	
30		1	· Nipple	
31	848127	1	· Hose	
32	955953	1	Lock washer	
33		1	Nut	
34		2	Lubricator	
35		1	Screw	
36		1	Lock washer	
37		1	Lock plate	
38		1	Shaft	
39		1	Nipple	
40	804819	1	Key	
41	806593	1	Key	
42	848124	1	Retainer	SO
43	848117	2	Bearing	
44		1	Fork	
45	940162	2	Screw	
46	955950	2	Lock washer	
47		1	Shaft	
48		2	Key	
49	805732	1	Lever	
50	955563	1	Screw	
51		1	Housing	
52		1	Hatch	
53		2	Screw	
54	914167	2	Lubricating nipple	
55		1	Screw	