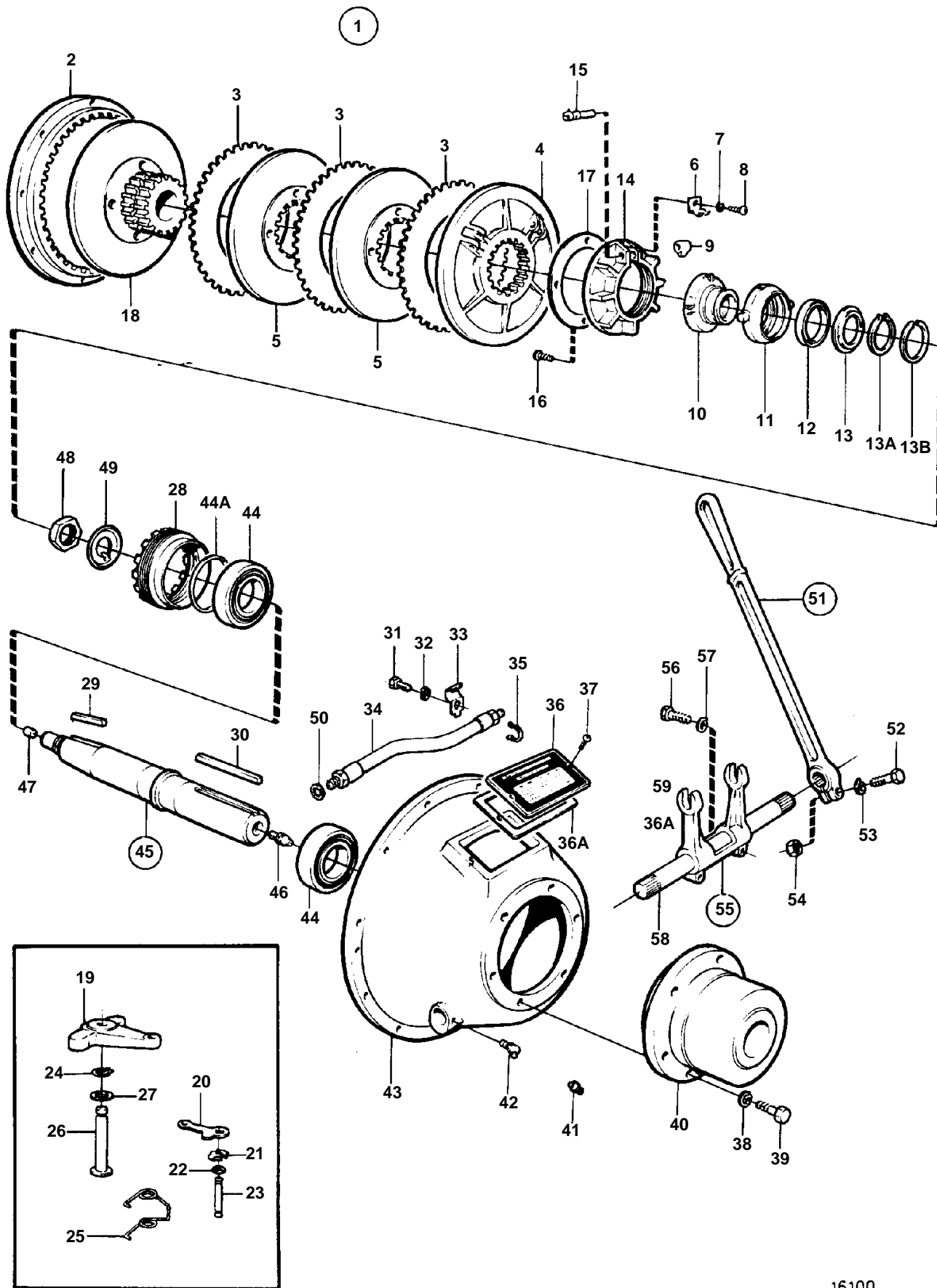


TAMD165C-A, TAMD165A-A, TAMD165P-A



16100

TAMD165C-A, TAMD165A-A, TAMD165P-A

REF	PART NO.	QTY	DESCRIPTION	NOTES
1	862734	1	Power take-off	AP314, RATIO 1:1
2	847729	1	• Drive ring	
3		3	• Disc	
4	846531	1	• Pressure plate	
5	846560	2	• Spacer	
6	846525	1	• Lock spring	
7	846528	1	• Spring washer	
8	846527	1	• Screw	
9		1	• Lock	
10	847725	1	• Sleeve	
11	847724	1	• Bearing housing	
12	847723	1	• Bearing	
13	847726	1	• Retainer	
13A	847728	1	• Striker plate	
13B	847727	1	• Striker plate	
14	849982	1	• Adjusting ring	
15	846506	1	• • Lock screw	
16		3	• • Screw	
17		2	• • Adjusting plate	
18	846561	1	• Companion flange	
19		4	• Release arm	
20	846537	8	• Link	
21		16	• Striker plate	Replaced by 1ea pin 865059, 2ea splitpin and 2ea washer 865052.
22		16	• Washer	
23		8	• Pin	Replaced by 1ea pin 865059, 2ea splitpin and 2ea washer 865052.
24		8	• Striker plate	
25		4	• Spring	
26		4	• Pin	Replaced by 1ea pin 865056, 2 ea splitpin 865057 and 2 ea washer 846534.
27	846534	8	• Washer	
28		1	• Retainer	
29	847735	1	• Key	
30	863021	1	• Key	
31		1	• Screw	
32	941907	1	• Spring washer	
33		1	• Striker plate	
34	846488	1	• Lubricating hose	
35	846493	1	• Lock ring	
36		1	• Cover	
36A		1	• Gasket	
37		2	• Screw	
38		6	• Washer	
39	847730	6	• Screw	
40	847731	1	• Bearing housing	
41		1	• Lubricating nipple	
42	846497	2	• Lubricating nipple	
43		1	• Housing	
44		2	• Bearing	
44A	847736	1	• Lock ring	SO
45	863015	1	• Shaft	SO
46		1	• Lubricating nipple	
47		1	• Screw	
48	847733	1	• Nut	
49	847734	1	• Lock washer	
50		1	• Lock washer	
51	846508	1	• Lever	
52		1	• • Screw	
53		1	• • Washer	
54	846510	1	• • Nut	
55	847916	1	• Fork	
56		2	• • Bolt	
57		2	• • Washer	
58	6603896	1	• Shaft	
59		2	• Key	