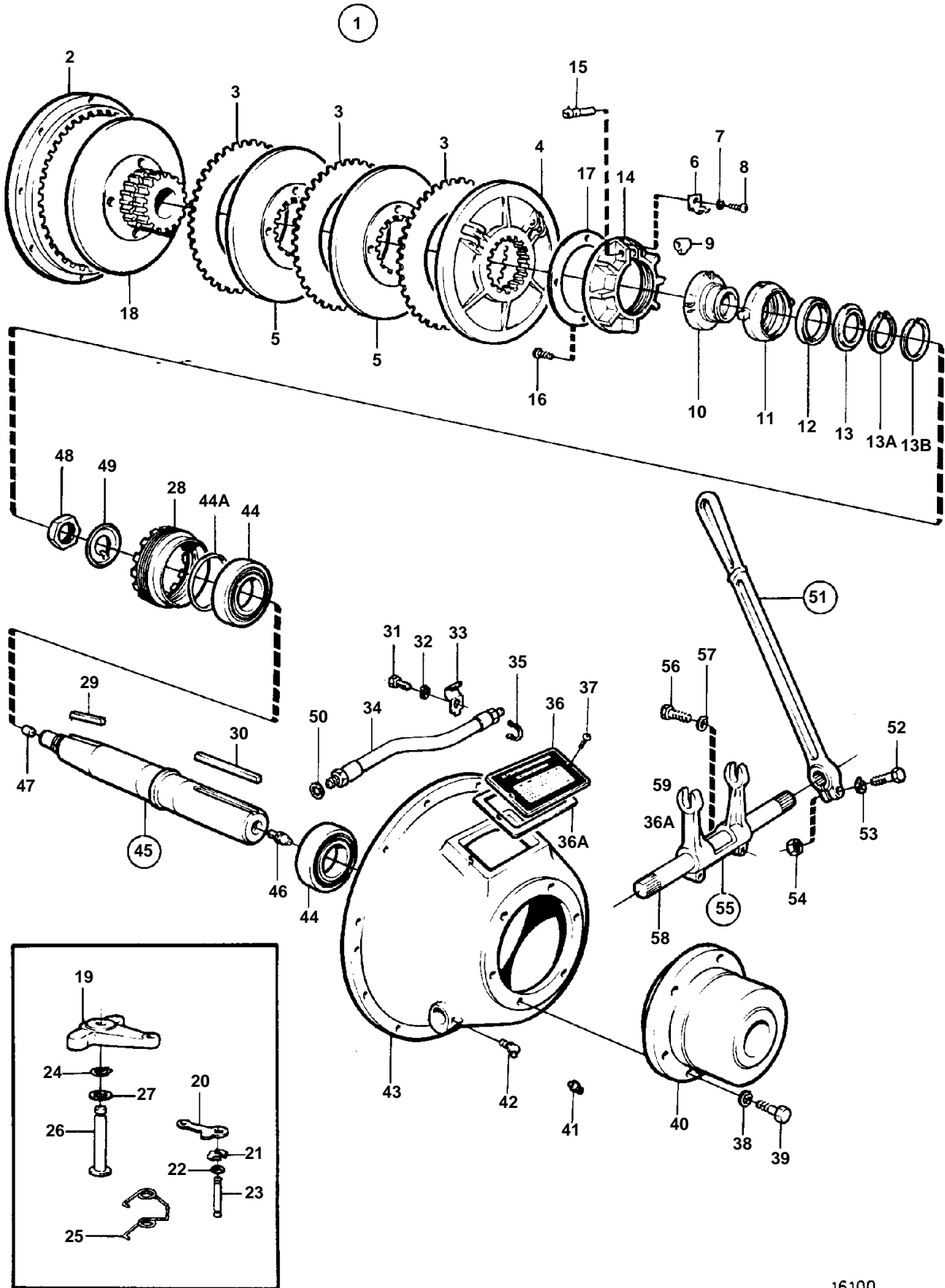


TAMD165C-A, TAMD165A-A, TAMD165P-A



16100

## TAMD165C-A, TAMD165A-A, TAMD165P-A

| REF | PART NO. | QTY | DESCRIPTION          | NOTES  |
|-----|----------|-----|----------------------|--|
| 1   | 862734   | 1   | Power take-off       | AP314, RATIO 1:1   |
| 2   | 847729   | 1   | • Drive ring         |  |
| 3   |          | 3   | • Disc               |  |
| 4   | 846531   | 1   | • Pressure plate     |  |
| 5   | 846560   | 2   | • Spacer             |  |
| 6   | 846525   | 1   | • Lock spring        |  |
| 7   | 846528   | 1   | • Spring washer      |  |
| 8   | 846527   | 1   | • Screw              |  |
| 9   |          | 1   | • Lock               |  |
| 10  | 847725   | 1   | • Sleeve             |  |
| 11  | 847724   | 1   | • Bearing housing    |  |
| 12  | 847723   | 1   | • Bearing            |  |
| 13  | 847726   | 1   | • Retainer           |  |
| 13A | 847728   | 1   | • Striker plate      |  |
| 13B | 847727   | 1   | • Striker plate      |  |
| 14  | 849982   | 1   | • Adjusting ring     |  |
| 15  | 846506   | 1   | • • Lock screw       |  |
| 16  |          | 3   | • • Screw            |  |
| 17  |          | 2   | • • Adjusting plate  |  |
| 18  | 846561   | 1   | • Companion flange   |  |
| 19  |          | 4   | • Release arm        |  |
| 20  | 846537   | 8   | • Link               |  |
| 21  |          | 16  | • Striker plate      | Replaced by 1ea pin 865059, 2ea splitpin and 2ea washer 865052.          |
| 22  |          | 16  | • Washer             |  |
| 23  |          | 8   | • Pin                | Replaced by 1ea pin 865059, 2ea splitpin and 2ea washer 865052.          |
| 24  |          | 8   | • Striker plate      |  |
| 25  |          | 4   | • Spring             |  |
| 26  |          | 4   | • Pin                | Replaced by 1ea pin 865056, 2 ea splitpin 865057 and 2 ea washer 846534. |
| 27  | 846534   | 8   | • Washer             |  |
| 28  |          | 1   | • Retainer           |  |
| 29  | 847735   | 1   | • Key                |  |
| 30  | 863021   | 1   | • Key                |  |
| 31  |          | 1   | • Screw              |  |
| 32  | 941907   | 1   | • Spring washer      |  |
| 33  |          | 1   | • Striker plate      |  |
| 34  | 846488   | 1   | • Lubricating hose   |  |
| 35  | 846493   | 1   | • Lock ring          |  |
| 36  |          | 1   | • Cover              |  |
| 36A |          | 1   | • Gasket             |  |
| 37  |          | 2   | • Screw              |  |
| 38  |          | 6   | • Washer             |  |
| 39  | 847730   | 6   | • Screw              |  |
| 40  | 847731   | 1   | • Bearing housing    |  |
| 41  |          | 1   | • Lubricating nipple |  |
| 42  | 846497   | 2   | • Lubricating nipple |  |
| 43  |          | 1   | • Housing            |  |
| 44  |          | 2   | • Bearing            |  |
| 44A | 847736   | 1   | • Lock ring          | SO   |
| 45  | 863015   | 1   | • Shaft              | SO   |
| 46  |          | 1   | • Lubricating nipple |  |
| 47  |          | 1   | • Screw              |  |
| 48  | 847733   | 1   | • Nut                |  |
| 49  | 847734   | 1   | • Lock washer        |  |
| 50  |          | 1   | • Lock washer        |  |
| 51  | 846508   | 1   | • Lever              |  |
| 52  |          | 1   | • • Screw            |  |
| 53  |          | 1   | • • Washer           |  |
| 54  | 846510   | 1   | • • Nut              |  |
| 55  | 847916   | 1   | • Fork               |  |
| 56  |          | 2   | • • Bolt             |  |
| 57  |          | 2   | • • Washer           |  |
| 58  | 6603896  | 1   | • Shaft              |  |
| 59  |          | 2   | • Key                |  |