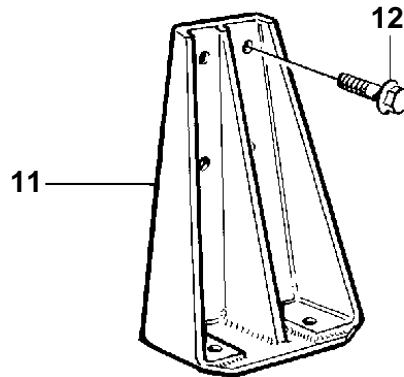
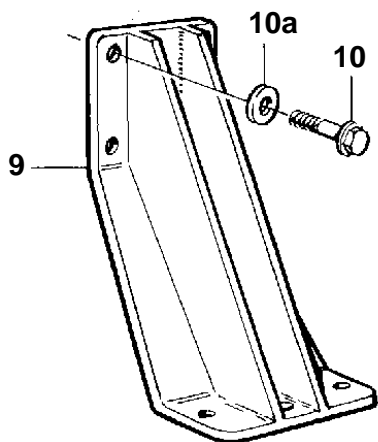
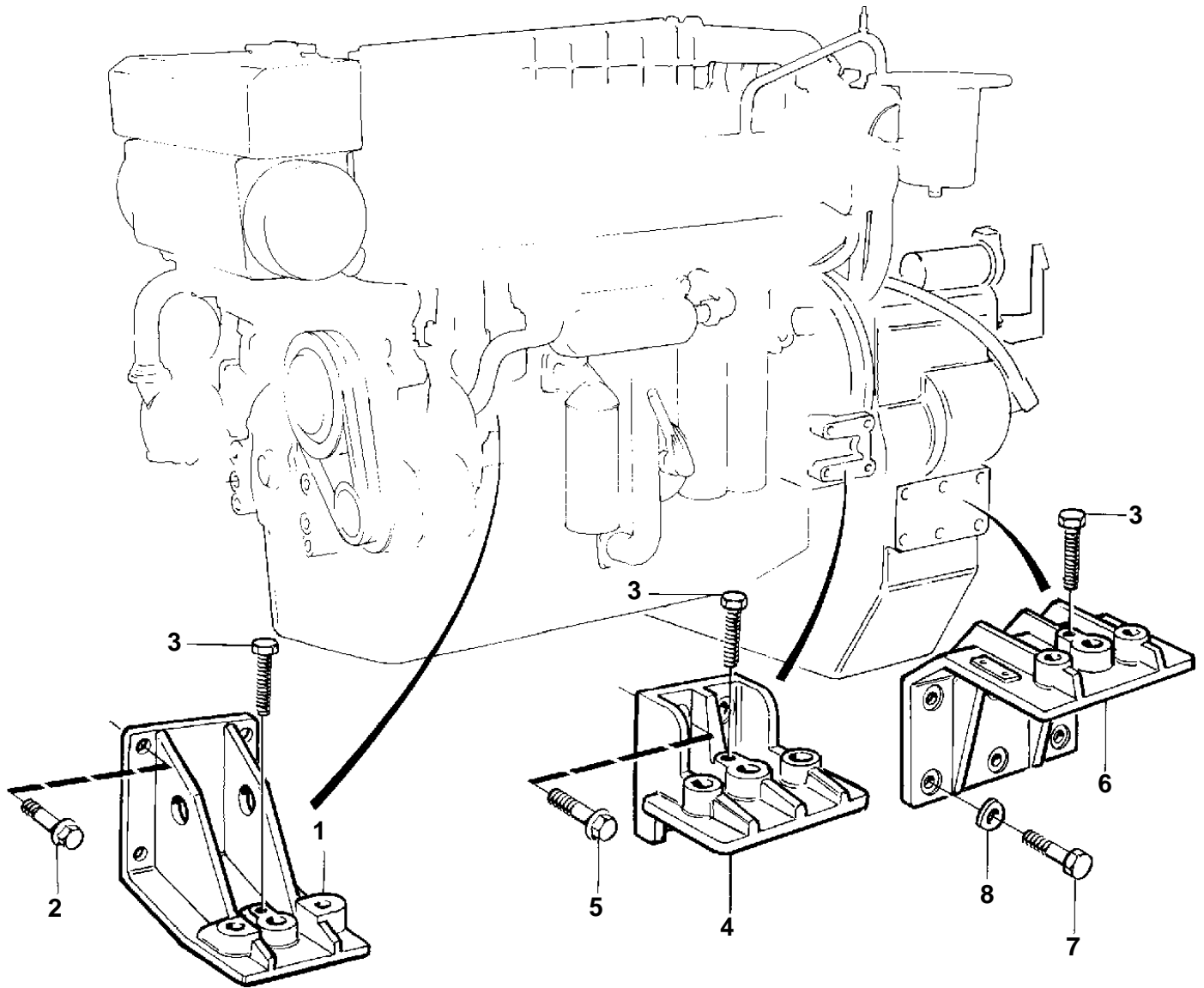


TAMD162C-C, TAMD163A-A



16376

TAMD162C-C, TAMD163A-A

REF	PART NO.	QTY	DESCRIPTION	NOTES
9	866512	2	Engine bracket	
10	968435	6	Flange screw	L=40mm
	968437	2	Flange screw, shut-off valve	L=80mm
10A	955900	4	Washer, shut-off valve	
11	848772	2	Engine bracket	
12	968435	4	Flange screw	L=40mm
	968437	4	Flange screw	L=80mm