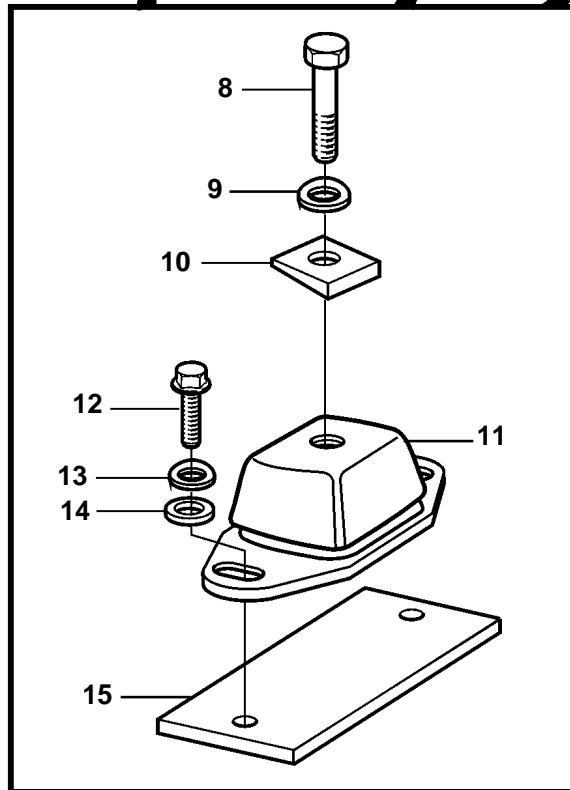
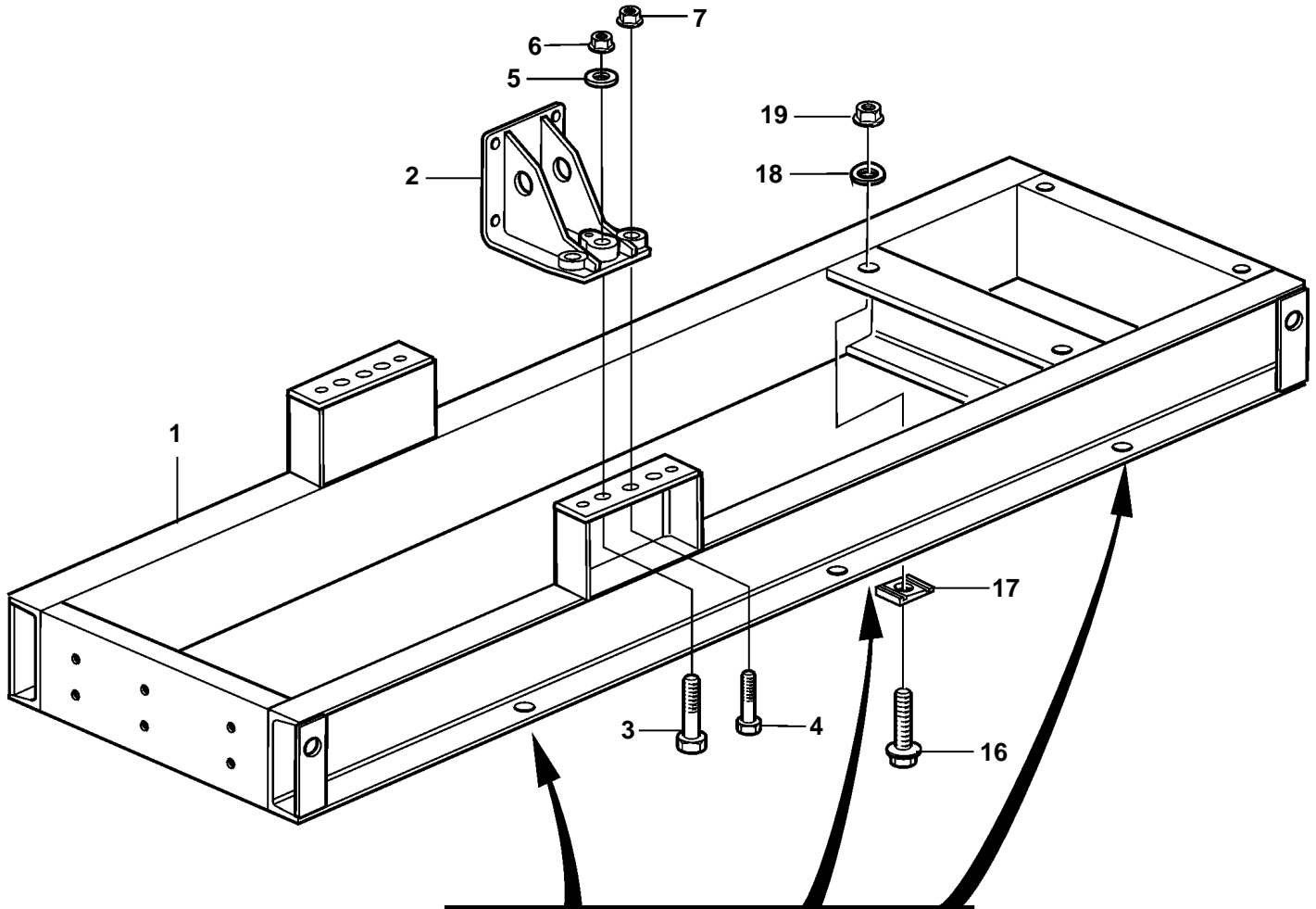


TAMD163A-A



18241

TAMD163A-A

REF	PART NO.	QTY	DESCRIPTION	SEE SEC.
1		1	Engine suspens frame	
2		2	Engine bracket	2669
3		2	Hexagon screw	
4	968298	4	Flange screw	
5		4	Washer	
6	963096	2	Lock nut	
7	946673	4	Flange lock nut	
8	955387	6	Hexagon screw	
9	941914	6	Spring washer	
10	18683	6	Washer	
11	862348	6	Rubber element	
12	955361	12	Screw	
13	941912	12	Spring washer	
14	955900	12	Washer	
15		6	Plate	
16	955774	4	Screw	SO
17	191810	4	Washer	
18	941917	4	Spring washer	SO
19	950381	4	Lock nut	SO