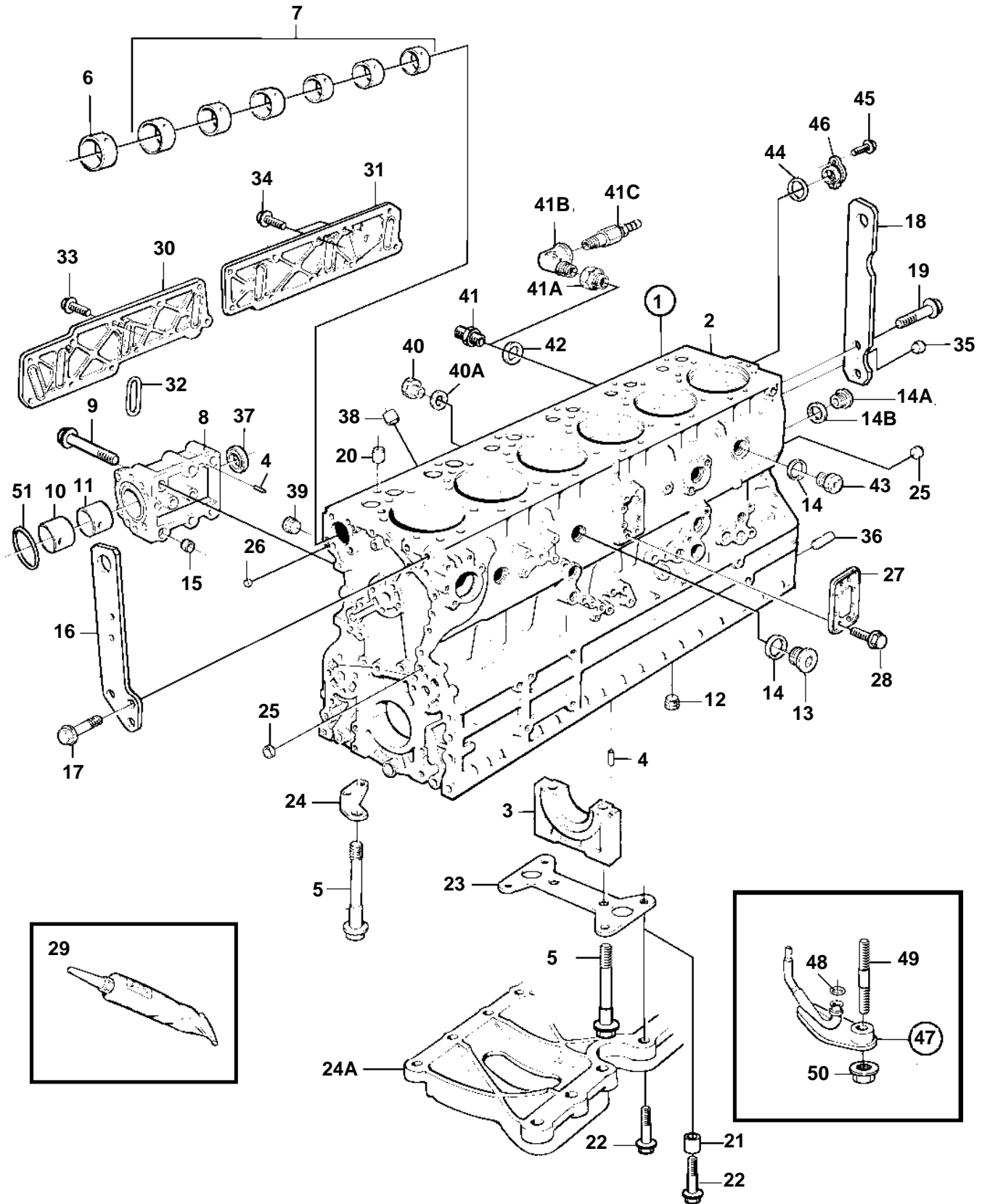


TAMD163P-A



TAMD163P-A

REF	PART NO.	QTY	DESCRIPTION	SEE SEC.	NOTES
1	1556500	1	Cylinder block		
2		1	· Cylinder block		
3		7	· Main bearing cap		
4	422426	8	· Pin		
5	1543412	14	· Flange screw		
6	1556514	1	· Bushing, front		
7	1556515	6	· Bushing		
8		1	· Bearing housing		
9	975102	4	· Flange screw		L=60mm
	975105	1	· Flange screw		L=100mm
	975107	1	· Flange screw		L=120mm
10	1556353	1	· Bushing, front		
11	1556372	1	· Bushing, rear		
12	952079	1	· Plug		
13	467367	3	· Plug		
14	1556907	3	· Gasket		
14A	8193945	1	· Plug		
14B	469327	1	· Gasket		
15	1543693	1	· Guide sleeve		
16		1	Lift ironfront		
17	965191	3	Screw		
18		1	Lift ironrear		
19	968436	2	Flange screw		
20	1543693	6	Guide sleeve, cylinder head		
21	1543787	28	Spacer sleeve		SN-XXXXXXXXXX/27110
	1543787	8	Spacer sleeve		SNXXXXXXXXXX/27111-
22	965192	28	Flange screw		
23	1556797	5	Stiffening plate		(1543590)
24	1543589	4	Stiffening plate		
24A	1556670	1	Frame	SO	SNXXXXXXXXXX/27111-
25	955083	2	Cap plug		D=14,5mm
26	967853	1	Cap plug		D=10,5mm
27	1543593	1	Cover		
28	967949	8	Screw		(965175)
29	1161231	X	Sealant		304ml
	1161277	X	Sealant		10g
30	1543486	1	Cover plate		
31	1556289	1	Cover plate, crankcase vent.		
32	469606	7	Sealing ring		
33	945444	18	Flange screw		M8x25mm
	946470	1	Flange screw		M8x35mm
		2	Screwcrankcase vent.	1925	
34	946752	2	Flange screw		M10x35mm
35	946778	1	Cap plug		D=17,5mm
36	191171	2	Pin, flywheel cover		
37	1546221	1	Sealing ring		
38	417588	1	Guide sleeve, fuel inj. pump	1879	
39	968063	1	Plug, M16		
40	960631	1	Plug, M16		
	421528	1	Reduction nipple, super vising equipment		
40A	947622	1	Gasket		
41	1676622	1	Nipple, draining		SN-XXXXXXXXXX/19769. Replaced by 1pc drain cock 949918, 1pc reduction nipple and 1pc elbow nipple 3826916.
41A	948867	1	Nipple		SNXXXXXXXXXX/19770-
41B	977409	1	Elbow nipple		SNXXXXXXXXXX/19770-
41C	974320	1	Tap		SNXXXXXXXXXX/19770-
42	948885	1	Gasket		
43	848785	1	Nipple, water pipe-turbo		
44	968971	1	O-ring		
45	946173	2	Flange screw		
46	1542242	1	Cover, camshaft		

TAMD163P-A

REF	PART NO.	QTY	DESCRIPTION	SEE SEC.	NOTES
47	1556430	6	Jet, piston cooling	1846	
48	955981	6	O-ring	1846	
49	1556434	6	Stud	1846	
50	948645	6	Lock nut	1846	
51	980236	1	O-ring		