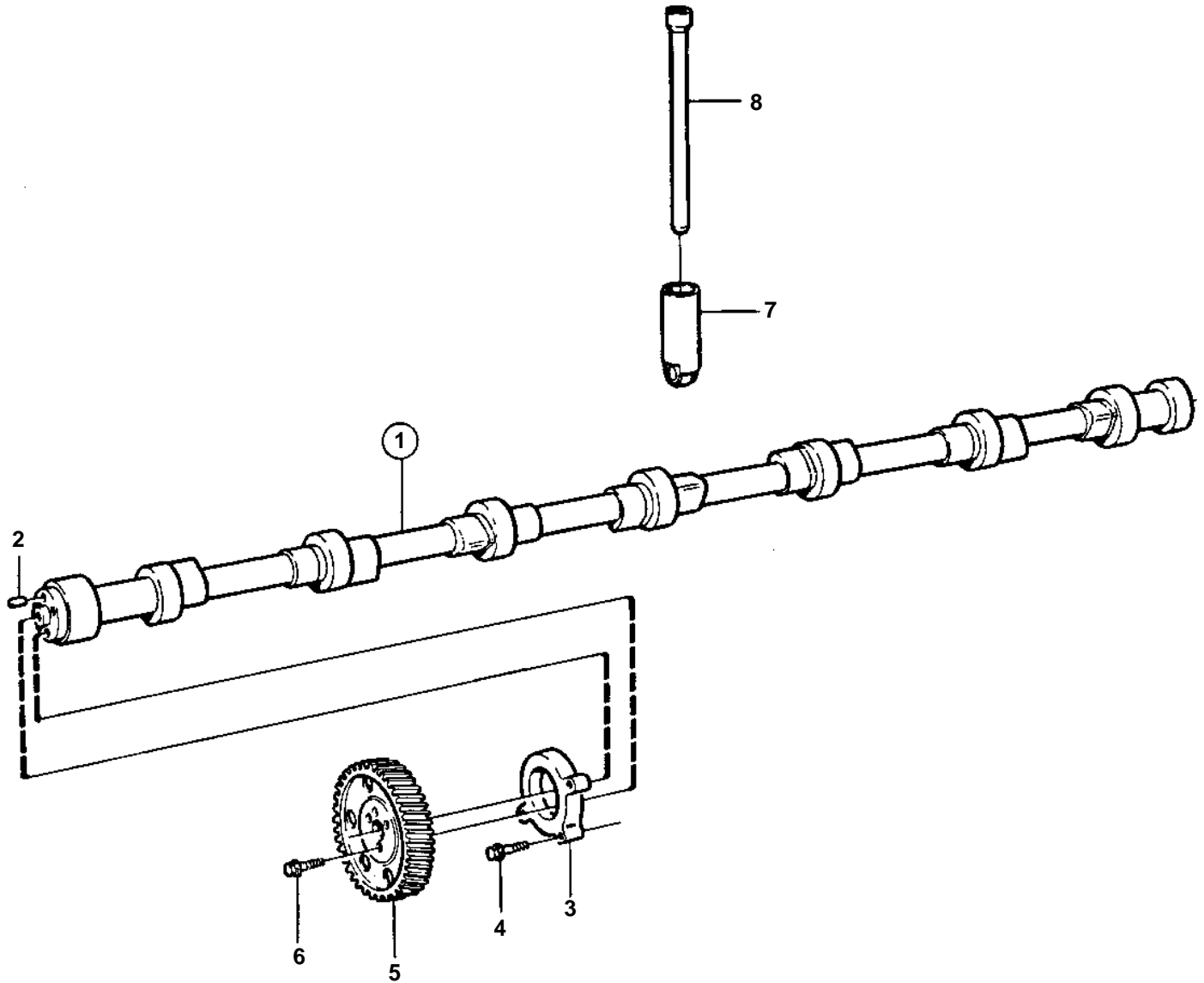


TAMD162C-C, TAMD163A-A, TAMD163P-A



15646

TAMD162C-C, TAMD163A-A, TAMD163P-A

REF	PART NO.	QTY	DESCRIPTION
1	1543704	1	Camshaft
2	950588	1	· Pin
3	1543839	1	Thrust bearing
4	946671	3	Flange screw
5	1543899	1	Gear
6	965220	3	Flange screw
7	1556947	12	Lifter
8	1543048	12	Push rod