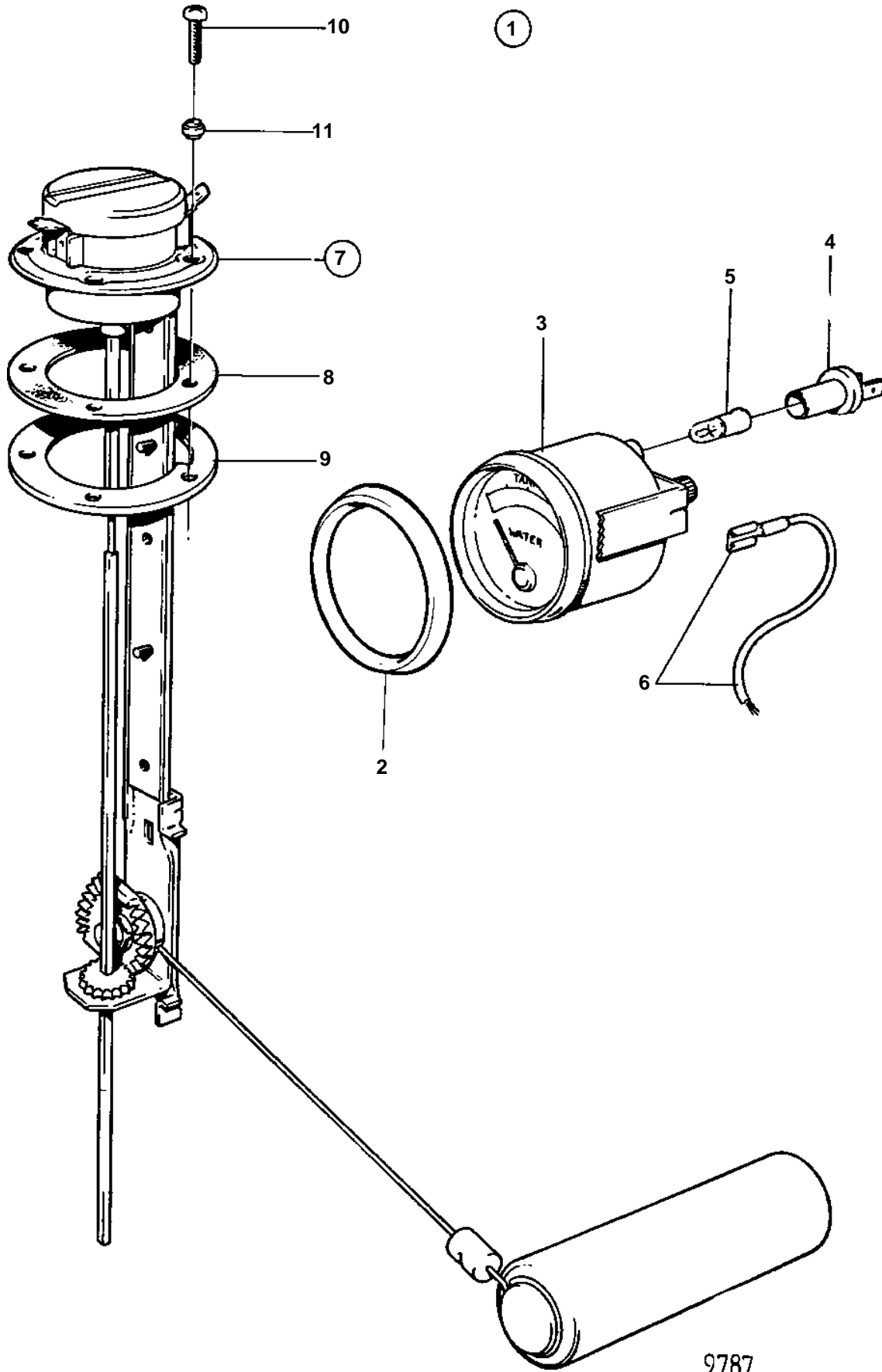


TAMD162C-C, TAMD163A-A, TAMD163P-A



TAMD162C-C, TAMD163A-A, TAMD163P-A

REF	PART NO.	QTY	DESCRIPTION	SEE SEC.	NOTES
1		1	Tank gauge kit		
2	858643	1	· Front ring		
3	863943	1	· Tank gauge, fresh water		
4	863945	1	· · Bulb socket		For instruments of early production should white bulb 182059 and bulb holder 808175 be mounted.
5	863947	1	· · Bulb		For instruments of early production should white bulb 182059 and bulb holder 808175 be mounted.
6		X	· Electrical materials	1963	
7	834389	1	· Sender		
8	89865	1	· · Gasket		
9	834480	1	· · Flange		
10	956078	4	· · Screw		L=16mm
	956081	1	· · Screw		L=25mm
11	834481	5	· · Gasket		