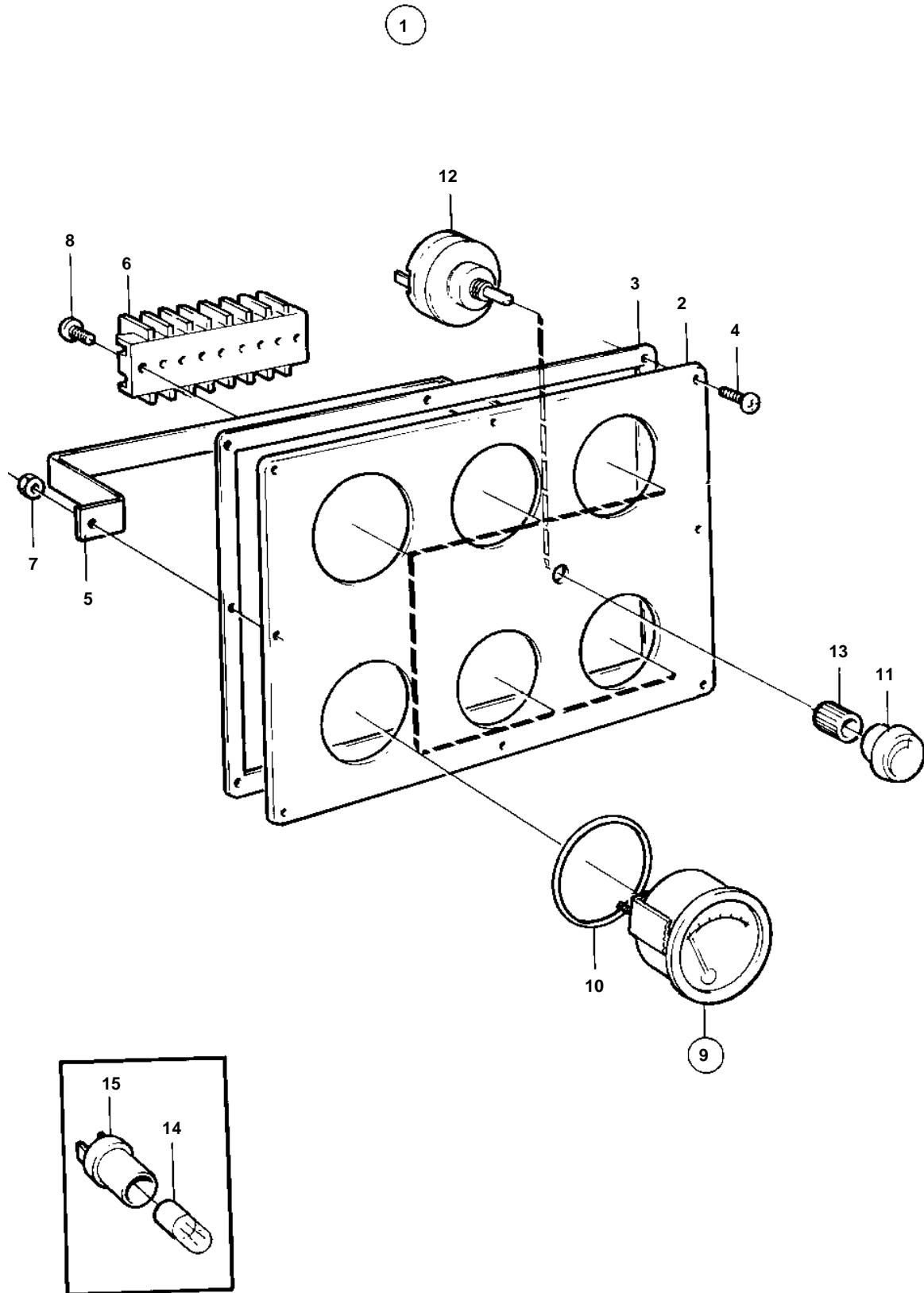


TAMD162C-C, TAMD163A-A



TAMD162C-C, TAMD163A-A

| REF | PART NO. | QTY | DESCRIPTION                                 | NOTES   |
|-----|----------|-----|---------------------------------------------|---------|
| 1   |          | 1   | Instrument panel                            |         |
| 2   | 862064   | 1   | · Instrument plate                          |         |
| 3   | 862152   | 1   | · Gasket                                    |         |
| 4   | 862217   | 8   | · Screw                                     |         |
| 5   | 862198   | 1   | · Brace                                     |         |
| 6   | 862181   | 2   | · Terminal block                            |         |
| 7   | 955779   | 2   | · Nut                                       |         |
| 8   |          | 4   | · Screw                                     | M4x14mm |
| 9   | 862085   | 1   | · Turbo pressure gauge                      |         |
|     | 862186   | 1   | · Temperature gauge, exhaust                |         |
|     | 862088   | 1   | · Pressure gauge, oil pressure-reverse gear |         |
|     | 862091   | 1   | · Pressure gauge, fresh water               |         |
|     | 862094   | 1   | · Pressure gauge, sea water                 |         |
|     | 862096   | 1   | · Voltmeter                                 |         |
| 10  |          | 6   | · · O-ring                                  |         |
| 11  | 862180   | 1   | · Knob                                      |         |
| 12  | 1578846  | 1   | · Rheostat                                  |         |
| 13  | 843002   | 1   | · Nut                                       |         |
| 14  | 828818   | 6   | · Bulb                                      |         |
| 15  | 808175   | 6   | · Bulb socket                               |         |