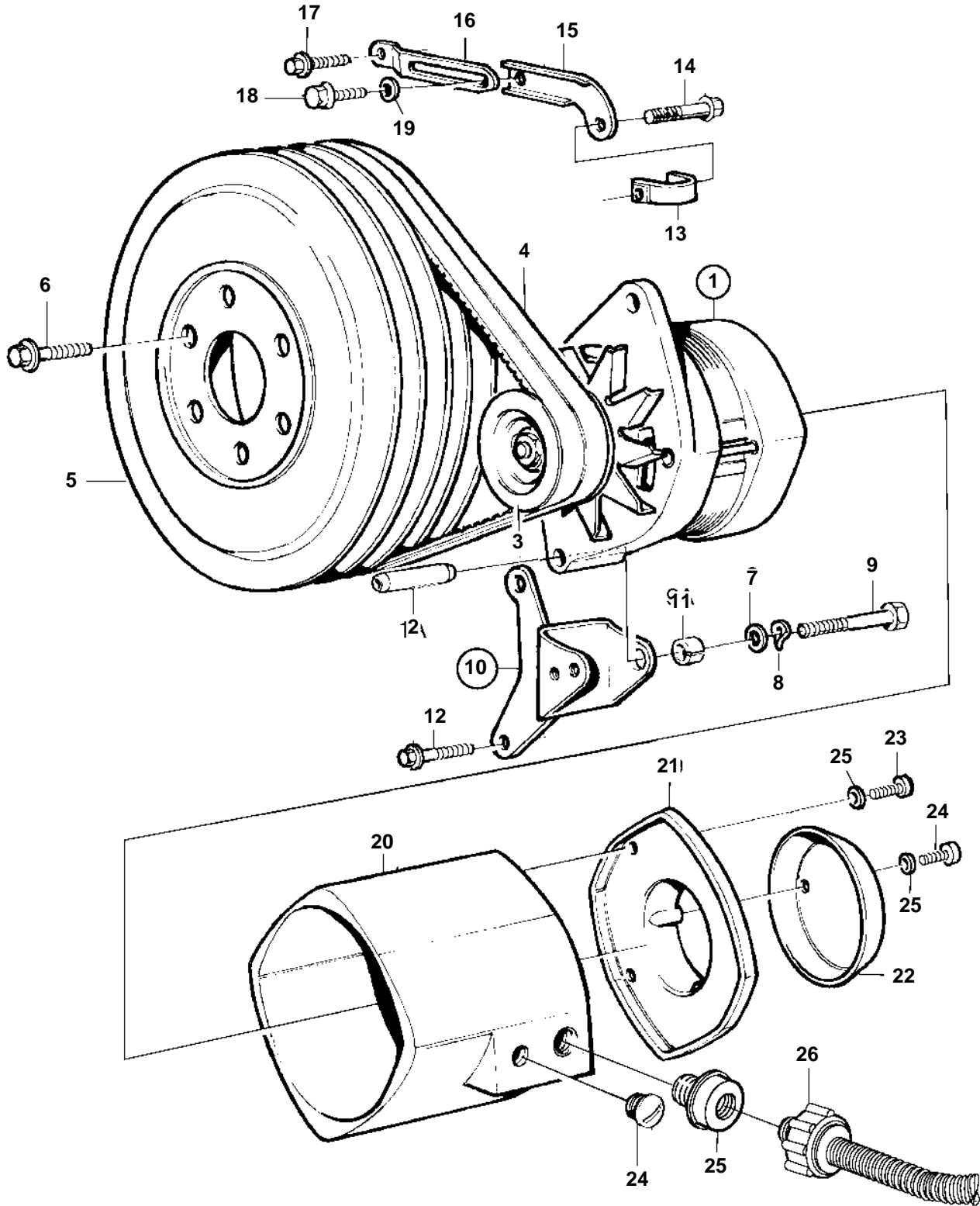


TAMD162C-C, TAMD163A-A, TAMD163P-A



18174

TAMD162C-C, TAMD163A-A, TAMD163P-A

REF	PART NO.	QTY	DESCRIPTION	SEE SEC.	NOTES
1	872021	1	Alternator, 28V 60A		SN1101038359/XXXXX-. For 24 voltage electric system. SN-XXXXXXXXXX/24064 REPL BY 873757 E.U=3803181
				3838	
	873757	1	Alternator, 28V 60A		SN1101053868/24065- SN-1101054009/XXXXX REPL BY 873771 E.U=3803270
				3838	
	873771	1	Alternator, 28V 60A		SN1101054010/XXXXX-
	3803443	1	Alternator,exch		Exchange unit E.U=3803443
				4169	
1A	1610144	1	Pin		SN-1101051916/XXXXX
2	822573	1	Pulley		
3	976483	1	V-belt kit		
4	849113	1	Pulley, water pump		
5	946173	6	Flange screw		
6	955896	1	Washer		
7	941909	1	Spring washer		
8	955553	1	Screw, L=70mm		SN-1101051916/XXXXX
	955554	1	Screw, L=76mm		SN1101051917/XXXXX-
9		1			SN-1101051916/XXXXX. Replaced by 1pc alternator bracket 3825655 and 1pc screw 955554.
	3825655	1	Alternator bracket		SN1101051917/XXXXX-
9A	831920	1	· Bushing		SN1101051917/XXXXX-
10	947760	2	Flange screw		
11	466734	1	Tensioning eyelet		
12	947760	1	Flange screw		
13	847956	1	Tensioner		
14	849408	1	Tensioner		
15	946441	1	Screw		
16	946173	1	Flange screw		
17	976944	1	Washer		(966674)