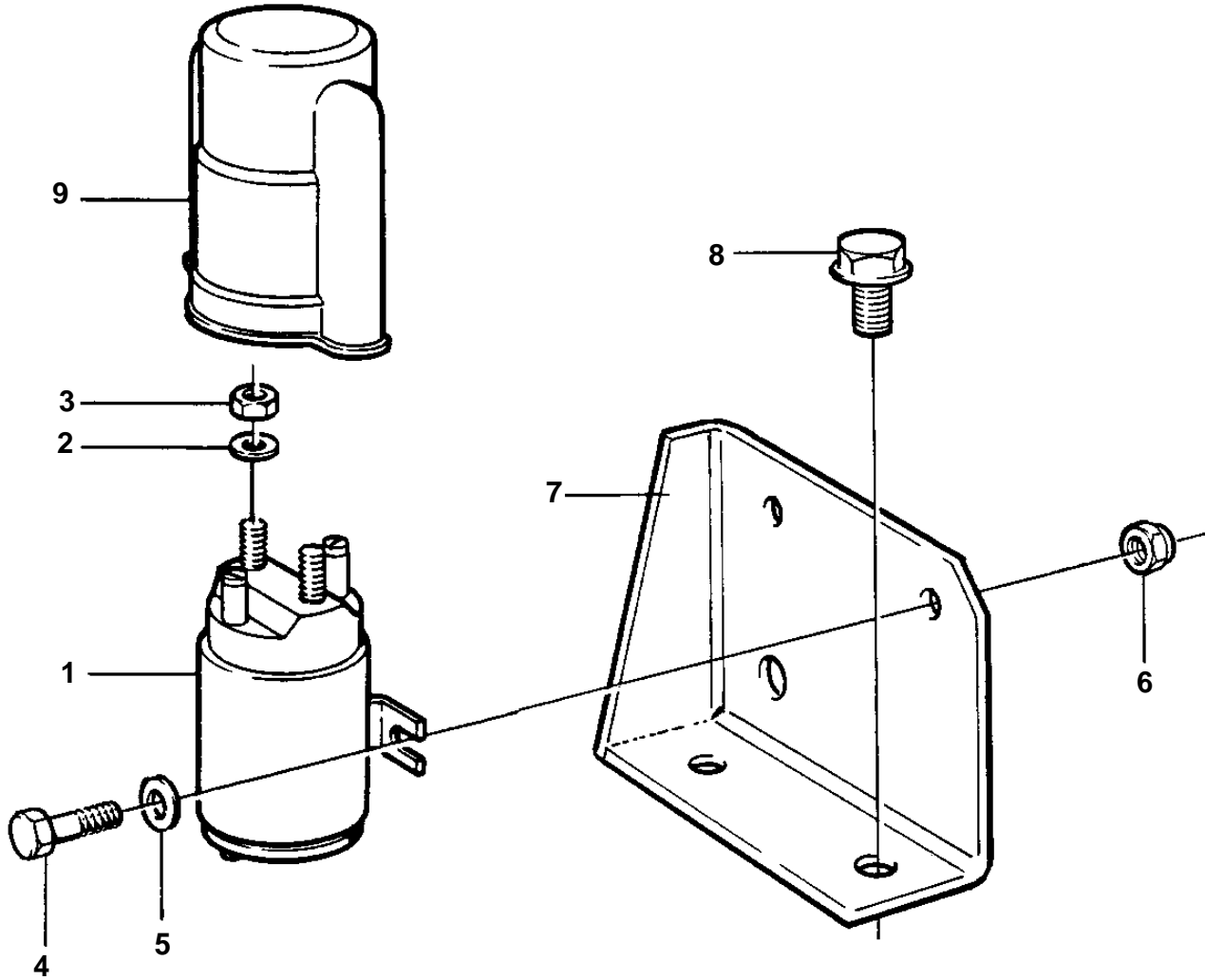


TAMD162C-C, TAMD163A-A, TAMD163P-A



15762

TAMD162C-C, TAMD163A-A, TAMD163P-A

REF	PART NO.	QTY	DESCRIPTION	NOTES
1	873962	1	Relay	24V 150A
2	941907	2	· Spring washer	
3	955782	2	· Nut	
4	955244	2	Screw	
5	940090	2	Washer	
6	963104	2	Nut	
7	862222	1	Bracket, flywheel cover	
8	946173	2	Flange screw	
9	1581123	1	Cover	