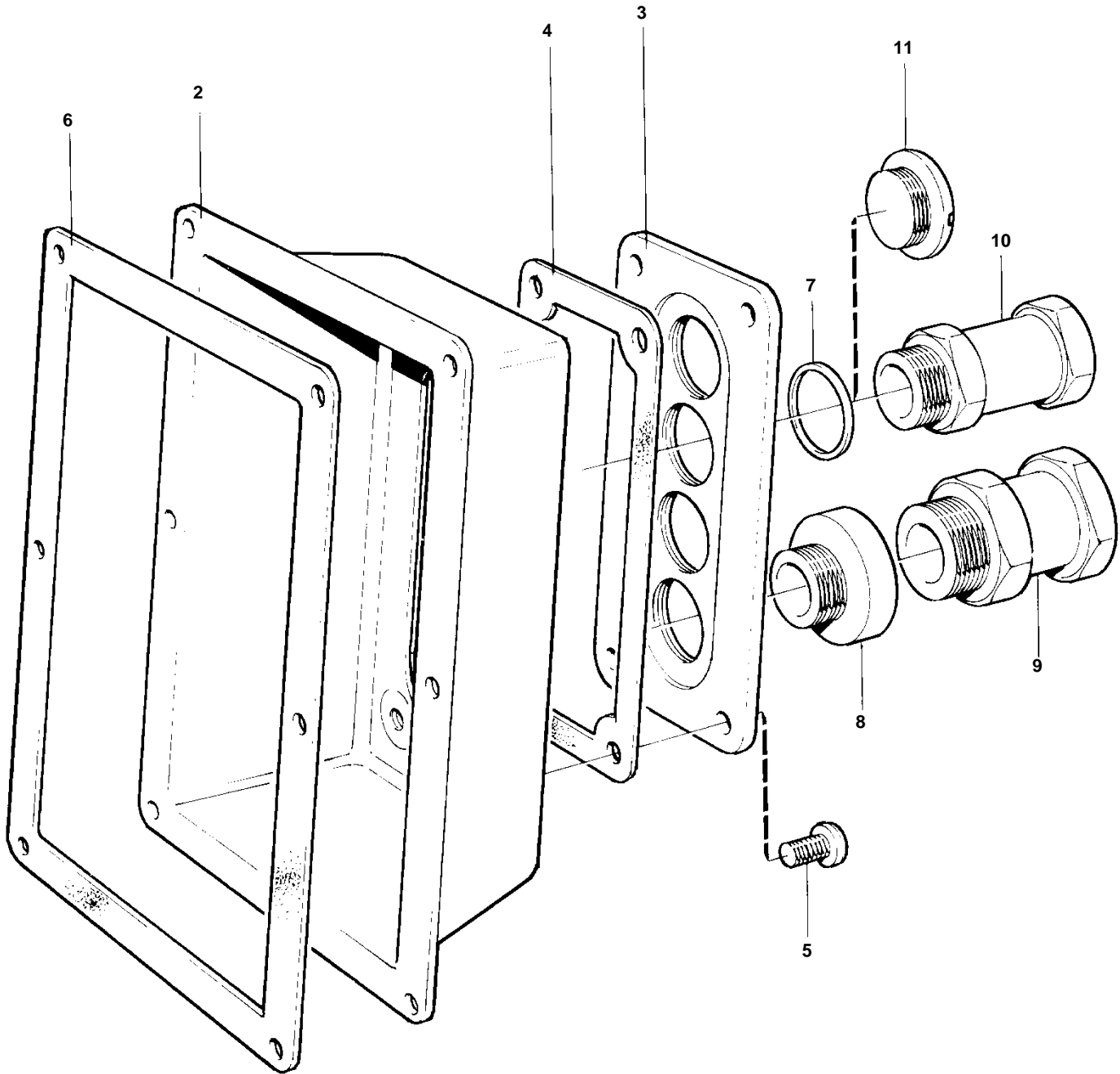


TAMD162C-C, TAMD163A-A

1



TAMD162C-C, TAMD163A-A

REF	PART NO.	QTY	DESCRIPTION	NOTES
1	862901	1	Protecting casing	
2	862318	1	• Box	
3	862366	1	• Cover	
4	843578	1	• Gasket	(862367)
5	956095	4	• Screw	
6	862331	1	• Gasket	
7	863654	3	• Gasket	
8	862882	1	• Enlarging coupling	
9	881193	1	• Cable union	16,5-19,5mm
10	881192	2	• Cable union	12,5-15,0mm
11	843903	2	• Plug	