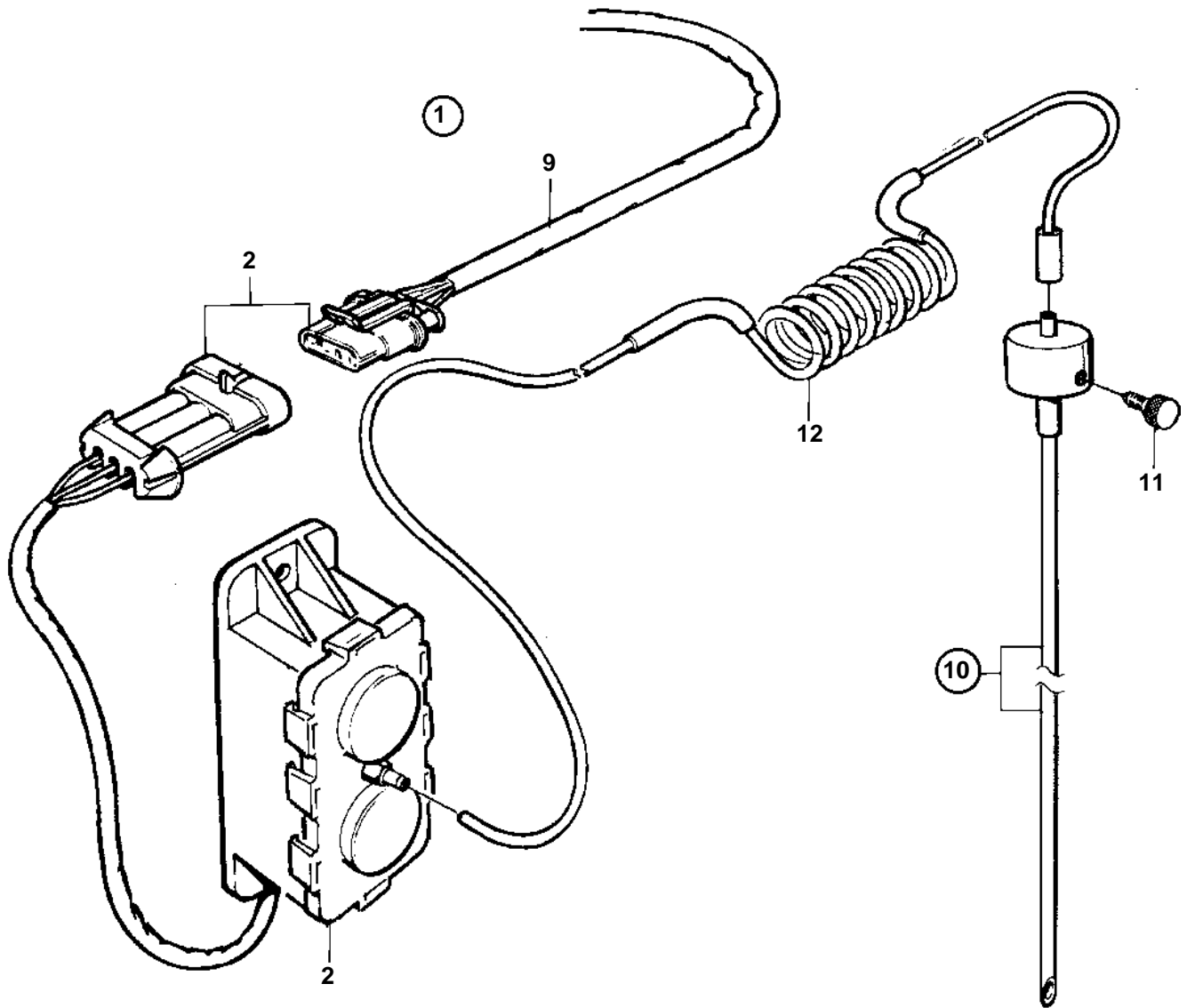
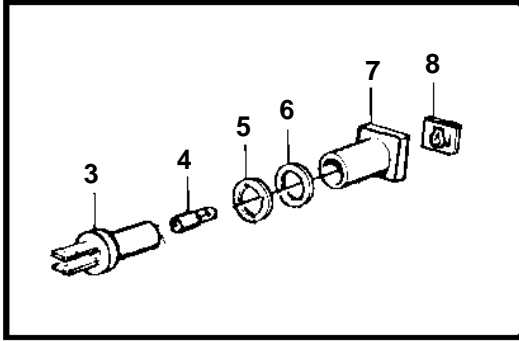


TAMD162C-C, TAMD163A-A, TAMD163P-A



TAMD162C-C, TAMD163A-A, TAMD163P-A

| REF | PART NO. | QTY | DESCRIPTION | SEE SEC. | NOTES |
|-----|----------|-----|----------------------------|----------|-------|
| 1 | | 1 | Level guard | | 24V |
| 2 | | 1 | · Level sensor | | |
| 3 | 808175 | 1 | · Bulb socket | | |
| 4 | 182059 | 1 | · Bulb | | 24V |
| 5 | 967583 | 1 | · Retainer | | |
| 6 | 829714 | 1 | · Seal | | |
| 7 | 838455 | 1 | · Retainer | | |
| 8 | 866853 | 1 | · Symbol strip | | |
| 9 | | X | Electrical materials | 1963 | |
| 10 | | 1 | Dipstick, deep oil sump | | |
| | | 1 | Dipstick, shallow oil sump | | |
| 11 | | 1 | · Screw | | |
| 12 | | 1 | · Hose | | |