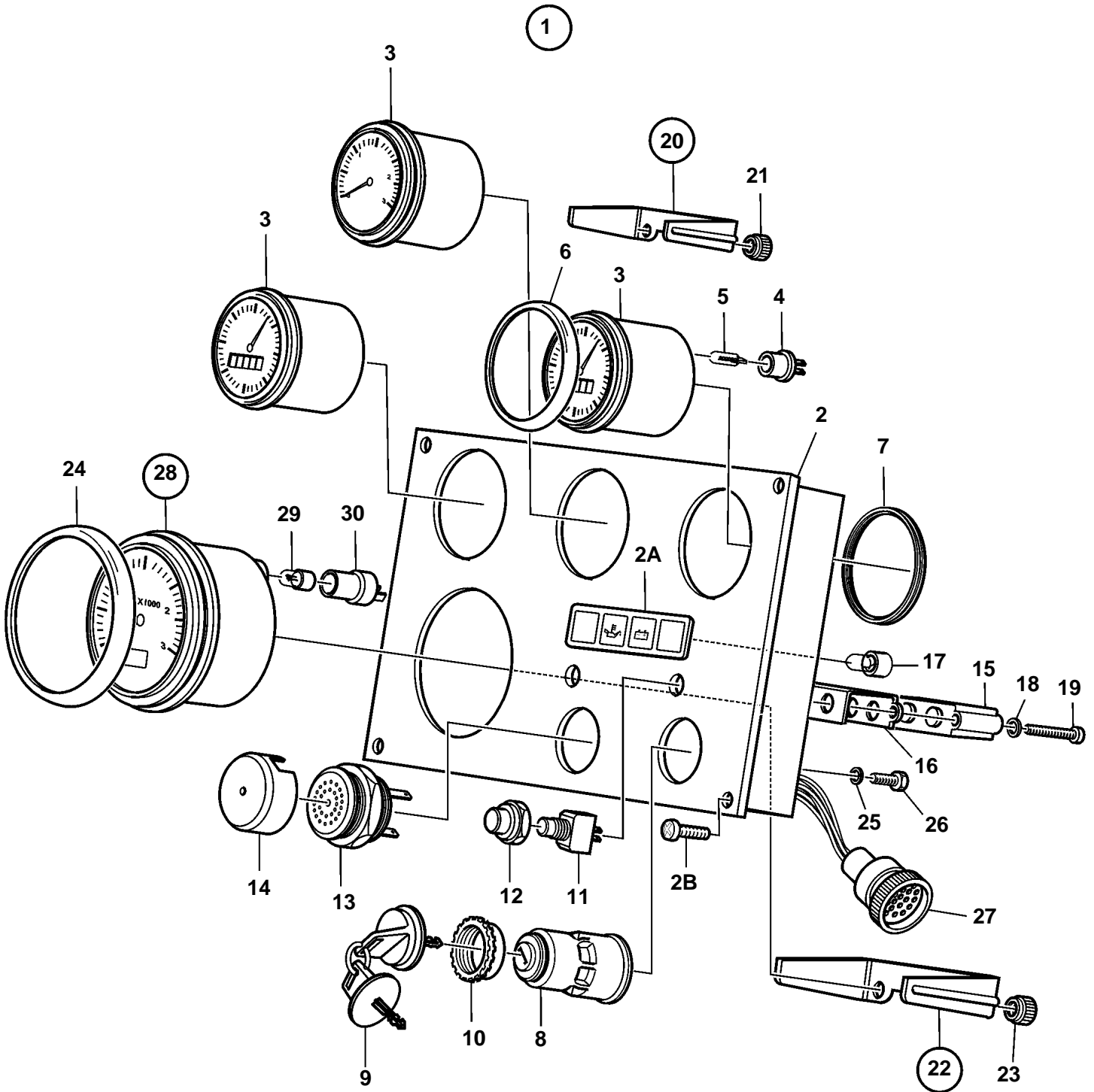


TAMD162C-C, TAMD163A-A, TAMD163P-A



15483

TAMD162C-C, TAMD163A-A, TAMD163P-A

REF	PART NO.	QTY	DESCRIPTION	SEE SEC.	NOTES
1	873591	1	Instrument panel		
2	860182	1	• Instrument panel		
2A	858645	1	• Symbol strip		
2B	828647	4	• Screw		
3	873196	1	• Temperature gauge		
	873198	1	• Oil pressure gauge		
	873200	1	• Voltmeter		
4	863945	3	• • Bulb socket		
5	863947	3	• • Bulb		
6	858643	3	• Front ring		D=52mm
7	828803	3	• Ring		
8	864277	1	• Starter switch		
9	859953	2	• • Key	SO	State key code when ordering.
			• • Bulletin 49-30	49-30-EN	Key P/N 859953
10	859955	1	• • Plastic nut		
11	828584	1	• Switch		TEST ALARM
	828585	1	• Switch		INSTR. LIGHT
12	828586	2	• Nut		
13	828587	1	• Buzzer		
14	858795	1	• Protecting casing		
15	873737	1	• Electronic unit		
16	828784	1	• Reflector		
17	828818	4	• Bulb		24V
18	941904	2	• Spring washer		
19	941615	2	• Screw		
20	873207	3	• Retainer		
21		6	• • Nut		
22	873208	1	• Retainer		
23		2	• • Nut		
24	873517	1	• Front ring		D=72mm
25	941904	1	• Spring washer		
26	949947	1	• Screw		
27	828646	1	• Cable trunk		
28	873995	1	Rev counter kit		2600 RPM
29	863947	1	• Bulb		24V
30	863945	1	• Bulb socket		