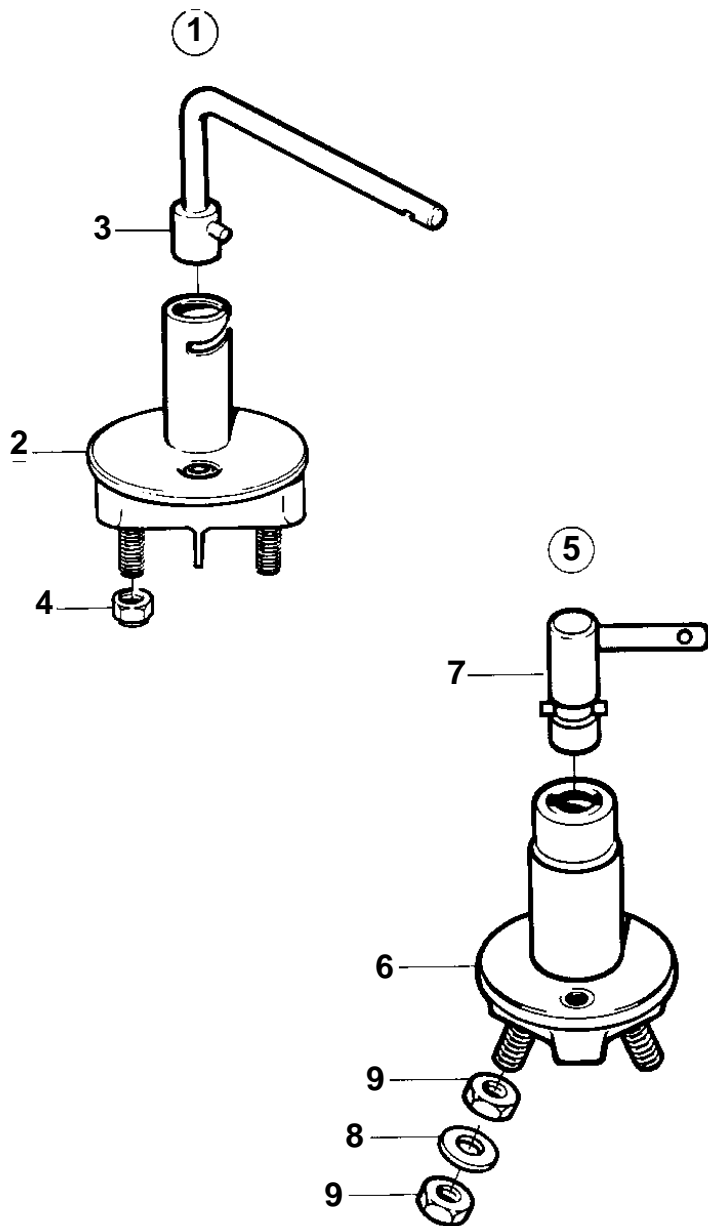


TAMD162C-C, TAMD163A-A, TAMD163P-A



9492

TAMD162C-C, TAMD163A-A, TAMD163P-A

REF	PART NO.	QTY	DESCRIPTION	NOTES
1	870980	1	Switch	REPLACED BY 1140319
2		1	· Switch	
3	243700	1	· Handle	REPLACED BY 1140319
4	971071	2	· Nut	(955783)
5	1140319	1	Battery main switch	
6		1	· Switch	
7	1140427	1	· Knob	
8	1140428	2	· Washer	
9	17602	4	· Nut	