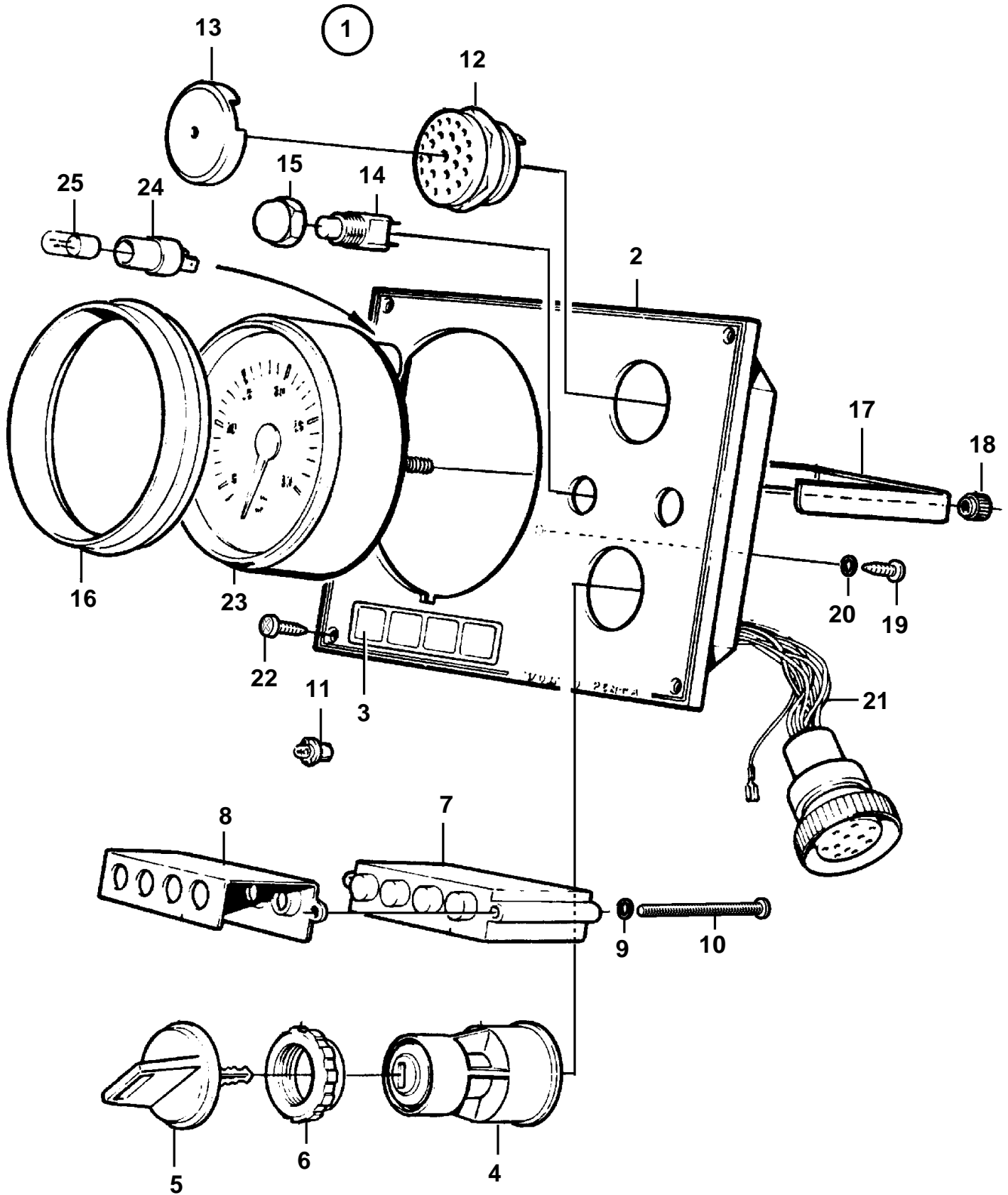


TAMD162C-C, TAMD163A-A, TAMD163P-A



15769

## TAMD162C-C, TAMD163A-A, TAMD163P-A

REF	PART NO.	QTY	DESCRIPTION	SEE SEC.	NOTES
1	873592	1	Instrument panel		
2	860183	1	· Instrument panel		
3	858645	1	· Symbol strip		
4	864277	1	· Starter switch		
5	859953	2	· · Key	SO	State key code when ordering.
			· · Bulletin 49-30	49-30-EN	Key P/N 859953
6	859955	1	· · Plastic nut		
7	873737	1	· Electronic unit		(873209)
8	828784	1	· Reflector		
9	941904	2	· Spring washer		
10	941615	2	· Screw		
11	828818	4	· Bulb		24V
12	828587	1	· Buzzer		
13	858795	1	· Protecting casing		
14	828584	1	· Switch		ALARM TEST
	828585	1	· Switch		INSTR. LIGHT
15	828586	2	· Nut		
16	873517	1	· Front ring		
17	873208	1	· Retainer		
18		2	· · Nut		
19	949947	1	· Screw		
20	941904	1	· Spring washer		
21	828648	1	· Cable kit		
22	828647	4	· Screw		
23	873995	1	Rev counter kit		(873669)
24	863945	1	· Bulb socket		
25	863947	1	· Bulb		24V