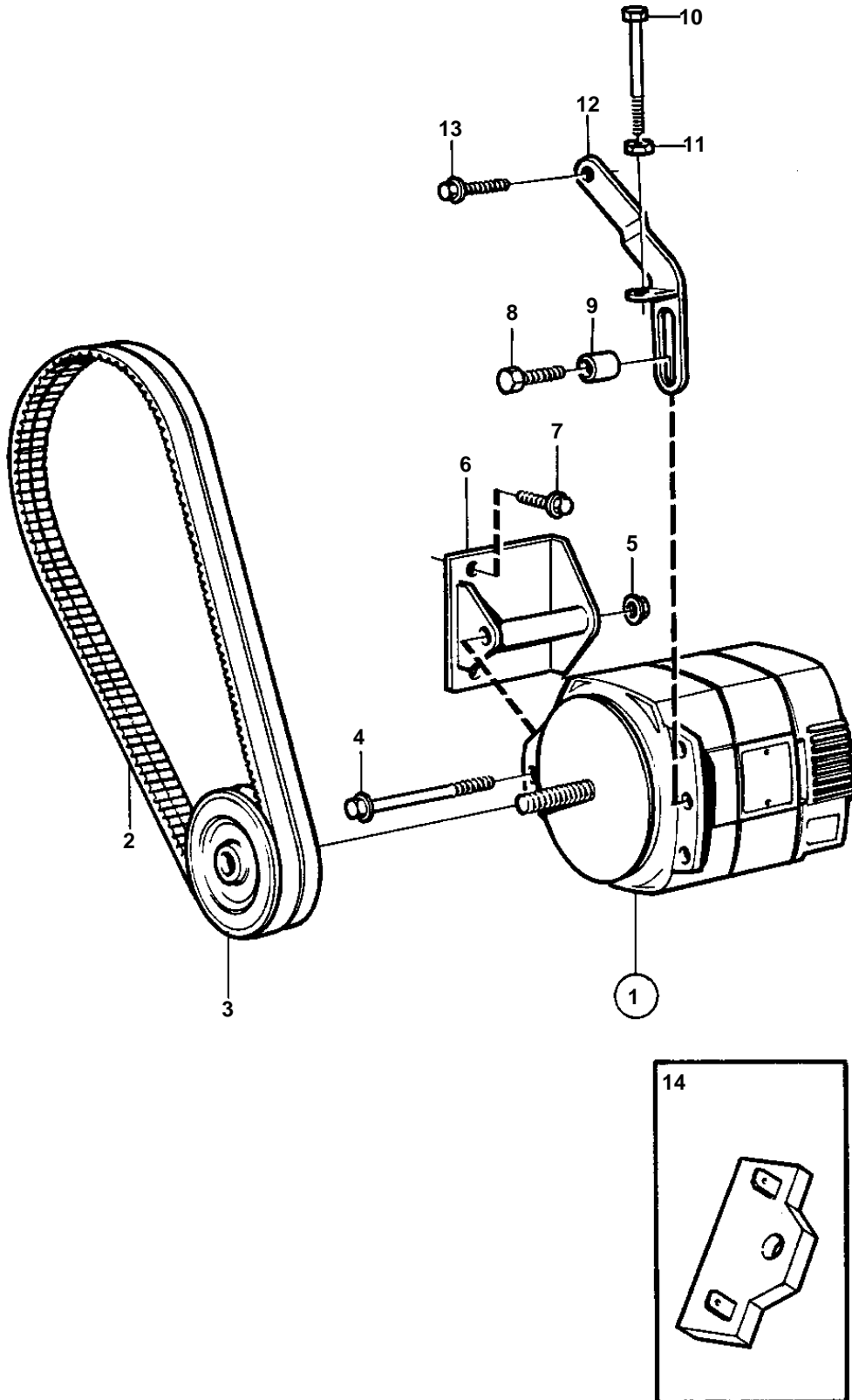


TAMD162C-C, TAMD163A-A, TAMD163P-A



TAMD162C-C, TAMD163A-A, TAMD163P-A

REF	PART NO.	QTY	DESCRIPTION	SEE SEC.	NOTES
1	849748	1	Alternator		28V 100A. For 24 voltage electric system. Exchange unit
	3803499	1	Alternator,exch		
				596	
2	967111	2	V-belt		
3	862542	1	Pulley, 5"		REPL BY 866133
	866133	1	Pulley, 4"		
4	970987	1	Screw		
5	971096	1	Nut		
6	864598	1	Bracket		
7	965191	2	Screw		
8	955563	1	Screw		
9	842406	1	Sleeve	OP	
10	837717	1	Screw		
11	971071	1	Nut		
12	863401	1	Tensioner		
13	946441	1	Screw		
14		1	Control resistance		