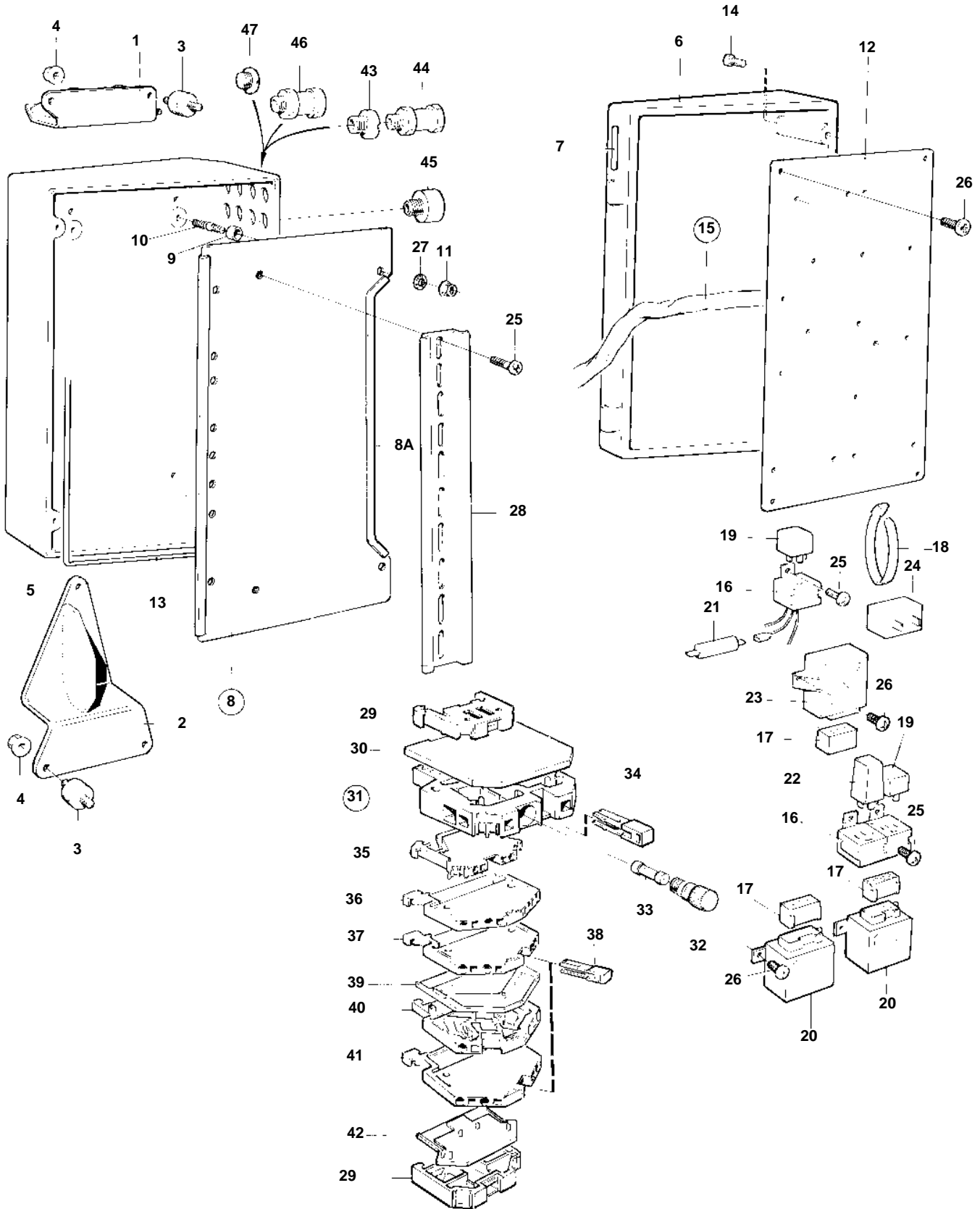


TAMD162C-C, TAMD163A-A



16383

TAMD162C-C, TAMD163A-A

REF	PART NO.	QTY	DESCRIPTION		NOTES
1	849947	1	Anchorage		
2	849946	1	Anchorage		
3	863415	4	Rubber cushion		
4	945408	4	Flange nut		
5	862742	1	Box		
6	862148	1	Cover		
7		2	Spring pin		
8	866104	1	Attaching plate		
8A		X	· Sealing strip		
9	846339	4	Spacer sleeve		
10	924055	4	Stud		
11	945407	4	Flange nut		
12	862147	1	Plate		
13		X	Sealing strip		L=1222mm (956097)
14	969423	2	Screw		
15		1	Cable trunk		
16	977184	8	· Tab housing		
17	944076	3	· Receptacle housing		
18	948702	X	· Strip clamp	NS	
19	9518230	7	Relay		
20	873140	2	Race gard		
21	1578857	2	Diode		
22	862850	1	Voltage sensor		
23	873788	1	Electronic unit, exhaust		
24	837722	1	Resistor		
25	956074	8	Screw		
26	956091	8	Screw		
27	942605	1	Lock washer		
28		1	Rail		
29		2	Stop		
30		1	End plate		
31	872892	4	Fuse board	SO	
32		4	· Fuse holder		
33	862962	4	Fuse		8 AMP
34		2	Brace		
35	872893	26	Terminal block		
36		4	Terminal block		MARKED 12,13,28,29
37	872895	5	Terminal block		BLUE, MARKED 14
38		7	Brace		
39		3	End plate		
40		7	Terminal block		MARKED 1,3,7,8,9,10,11
41		4	Terminal block		ORANGE, MARKED 2
42		2	End plate		
43	862885	1	Reducer sleeve, fresh water		
	862885	1	Reducer sleeve, exhaust temp		
44	881190	1	Cable union, exhaust temp		
45	872939	1	Adapter, electr box-altern-starter	SO	
46	844576	X	Cable union		9,5-12,0mm, PR 18,6
	881191	X	Cable union		7,5-10,5mm, PR 18,6
	881192	X	Cable union		12,5-15,0mm, PR 22,5
	881193	X	Cable union		16,5-19,5mm, PR 28,3
47		X	Plug		PR 18,6
	843903	X	Plug		PR 22,5
	843904	X	Plug		PR 28,3