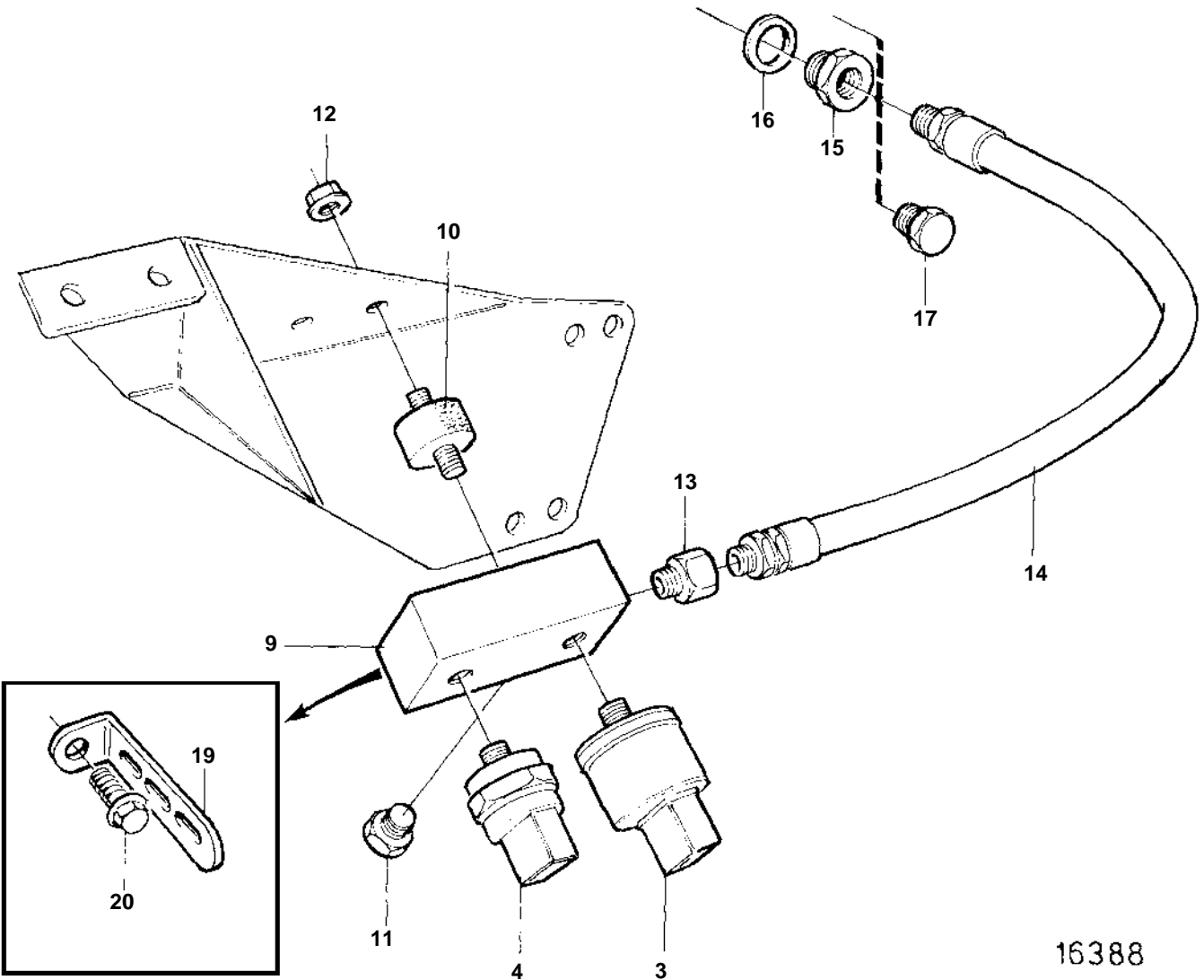
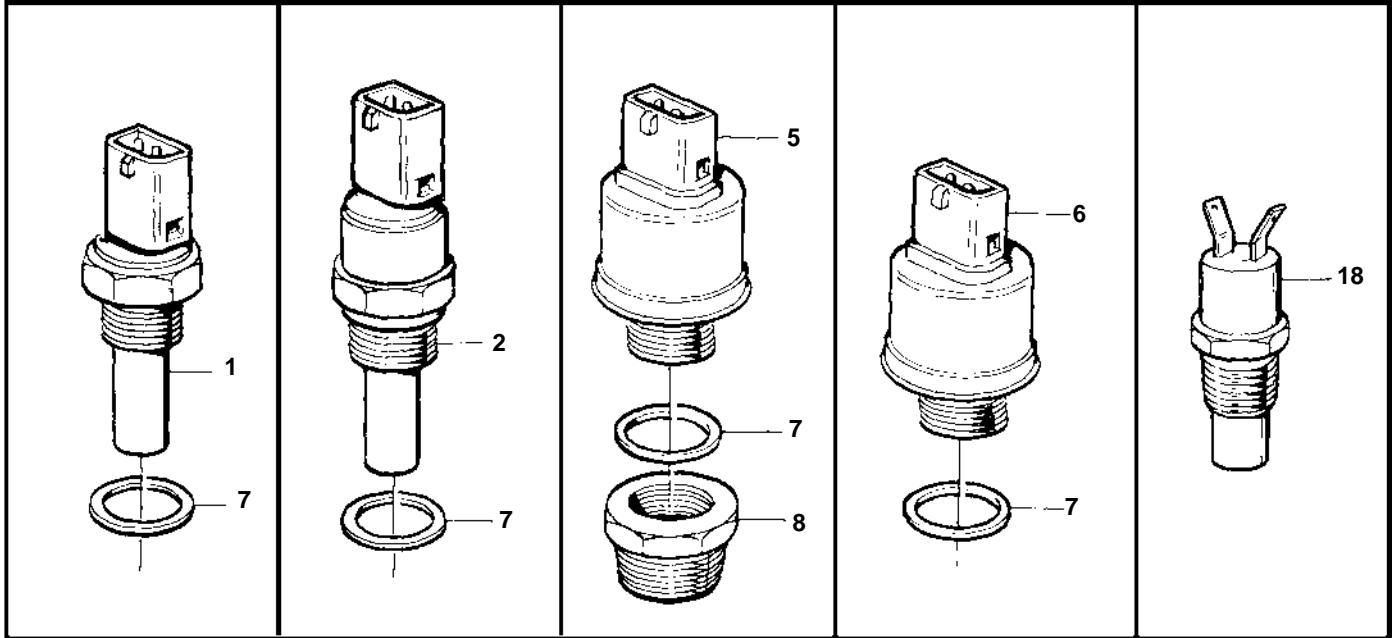


TAMD162C-C, TAMD163A-A, TAMD163P-A



16388

TAMD162C-C, TAMD163A-A, TAMD163P-A

REF	PART NO.	QTY	DESCRIPTION	NOTES
1	862154	1	Temperature sensor, coolant water temp.	
	862567	1	Temperature sensor, coolant water temp.	For double instruments.
2	862250	1	Thermo monitor, coolant water temp.	97°C
	858229	1	Thermo monitor, coolant water temp.	95°C
				SN1101052183/XXXXX
				SN1101052184/XXXXX-
3	866835	1	Pressure sensor, oil-engine	
	866836	1	Pressure sensor, oil-engine	For double instruments.
4	863169	1	Pressure monitor, oil-engine	
5	866839	1	Pressure sensor, reverse gear	
6	866837	1	Pressure sensor, turbo	
7	11998	X	Gasket	
	947624	X	Gasket	
8	180161	1	Nipple	TWIN DISC MG516
9	866704	1	Bracket	
10	3574797	2	Rubber cushion	
11	479979	1	Plug	
12	949278	2	Lock nut	
13	180009	1	Nipple	
14	1507501	1	Hose	
15	421528	1	Reduction nipple, cylinder block	TAMD163P-A
16	947622	1	Gasket	TAMD163P-A
17	479979	1	Plug	
18	822859	1	Thermo monitor, charge air temp-keel cool	TAMD163A-A
19	965558	1	Bracket	ALT
20	946440	1	Flange screw	ALT