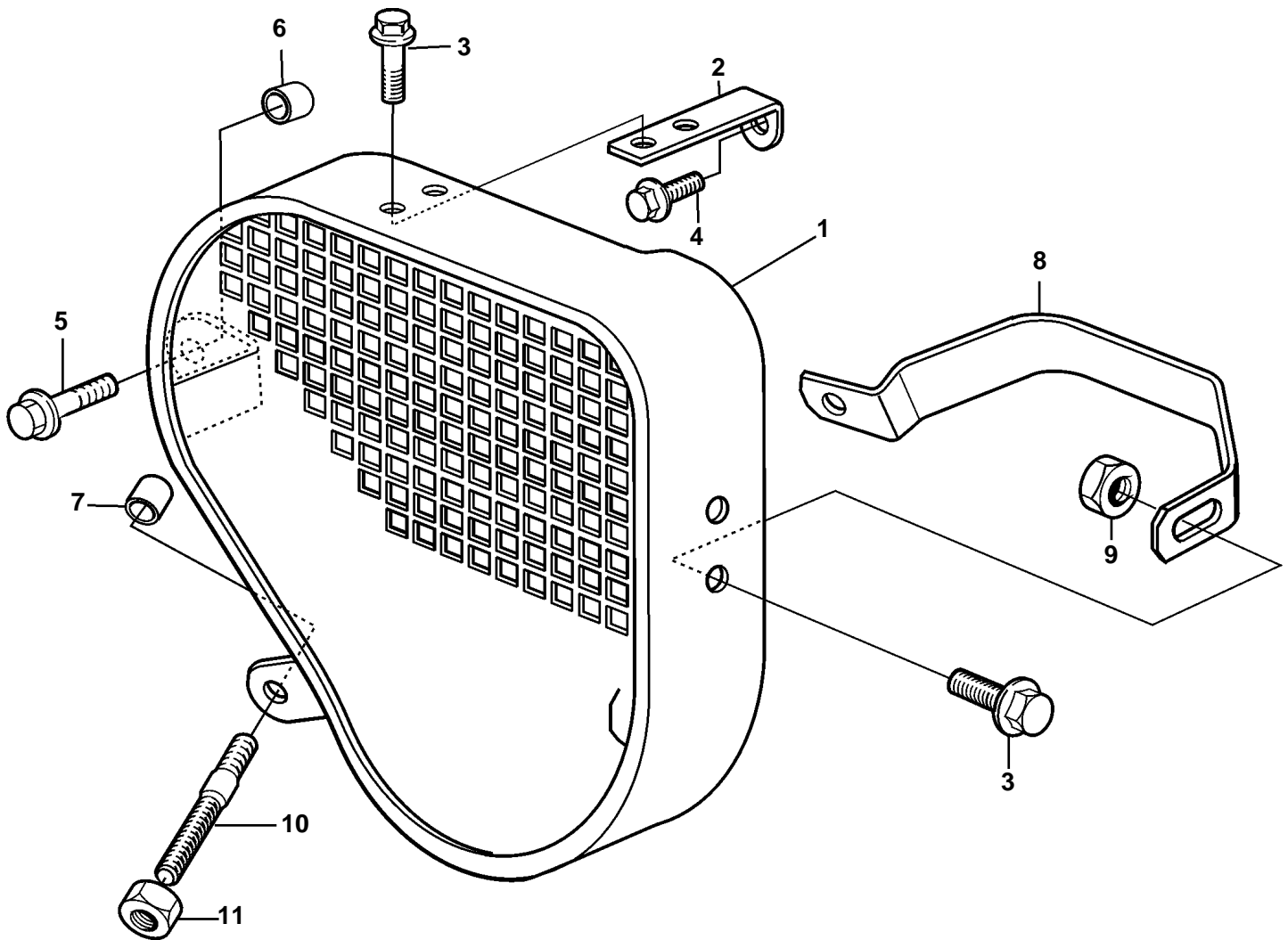


TAMD162C-C, TAMD163A-A, TAMD163P-A



TAMD162C-C, TAMD163A-A, TAMD163P-A

REF	PART NO.	QTY	DESCRIPTION		NOTES
1	3826171	1	Protecting casing		
2	866805	1	Bracket	OP	
3	947107	2	Flange screw		
4	946441	1	Screw		
5	965226	1	Flange screw		
6	830672	1	Spacer sleeve		Should not be used when clutch casing for power take off is installed.
7	1678297	1	Spacer sleeve		Should not be used when clutch casing for power take off is installed.
8		1	Bracket		
9	945408	1	Flange nut		
10	968684	1	Stud		
11	971073	1	Nut		