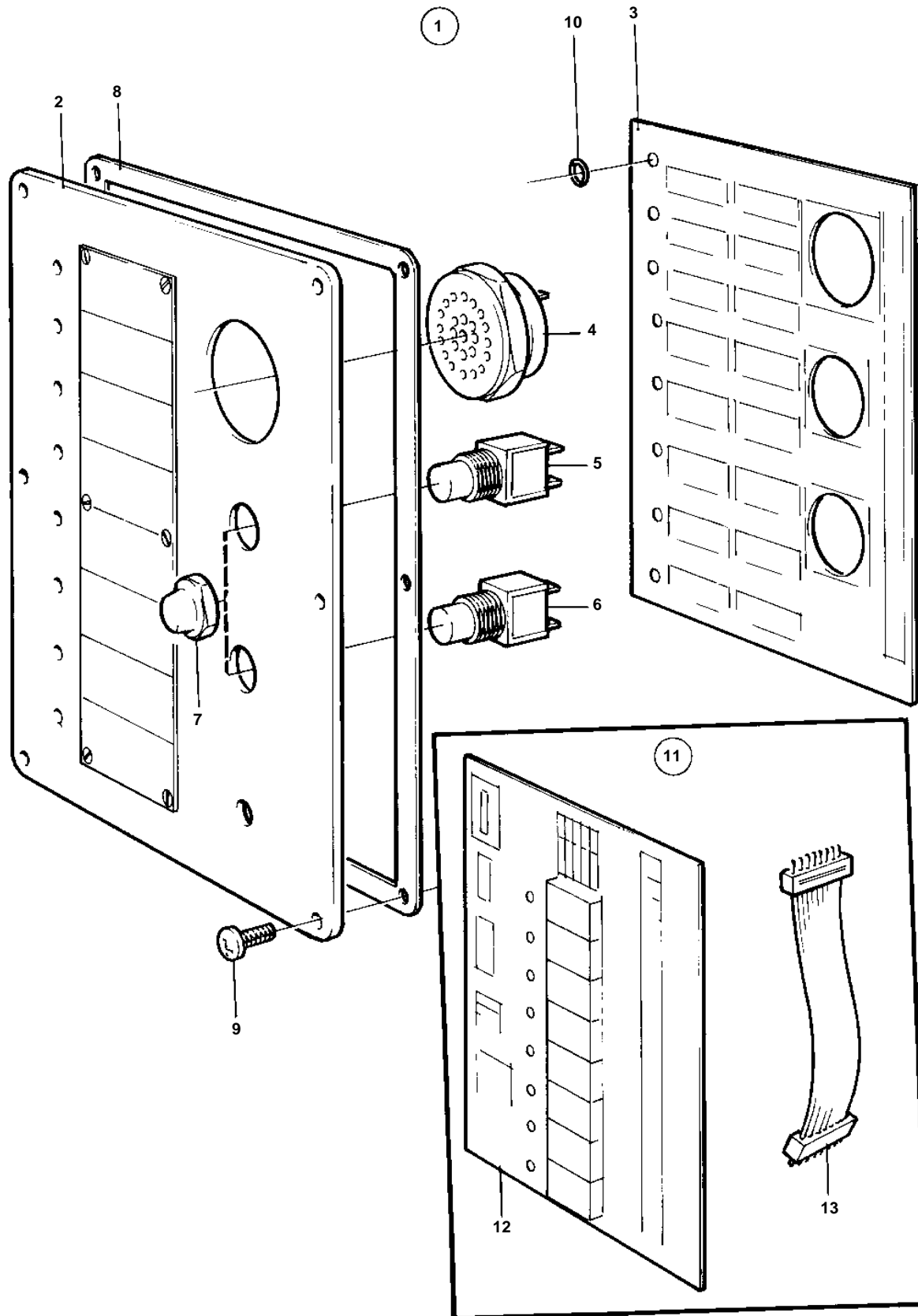


TAMD162C-C, TAMD163A-A



9349

TAMD162C-C, TAMD163A-A

REF	PART NO.	QTY	DESCRIPTION	NOTES
1	873785	1	Electronic unit	SN1101053655/XXXXX-
2	862317	1	· Front plate	
3		1	· Circuit board	SN1101053655/XXXXX-
4	828587	1	· Buzzer	
5	862719	1	· Switch	
6	828584	1	· Switch	
7	828586	2	· Nut	
8	862331	1	· Gasket	
9	862217	6	· Screw	
10	955978	9	· Rubber ring	
11	862793	1	Circuit board	
12		1	· Circuit board	
13		1	· Connecting cable	