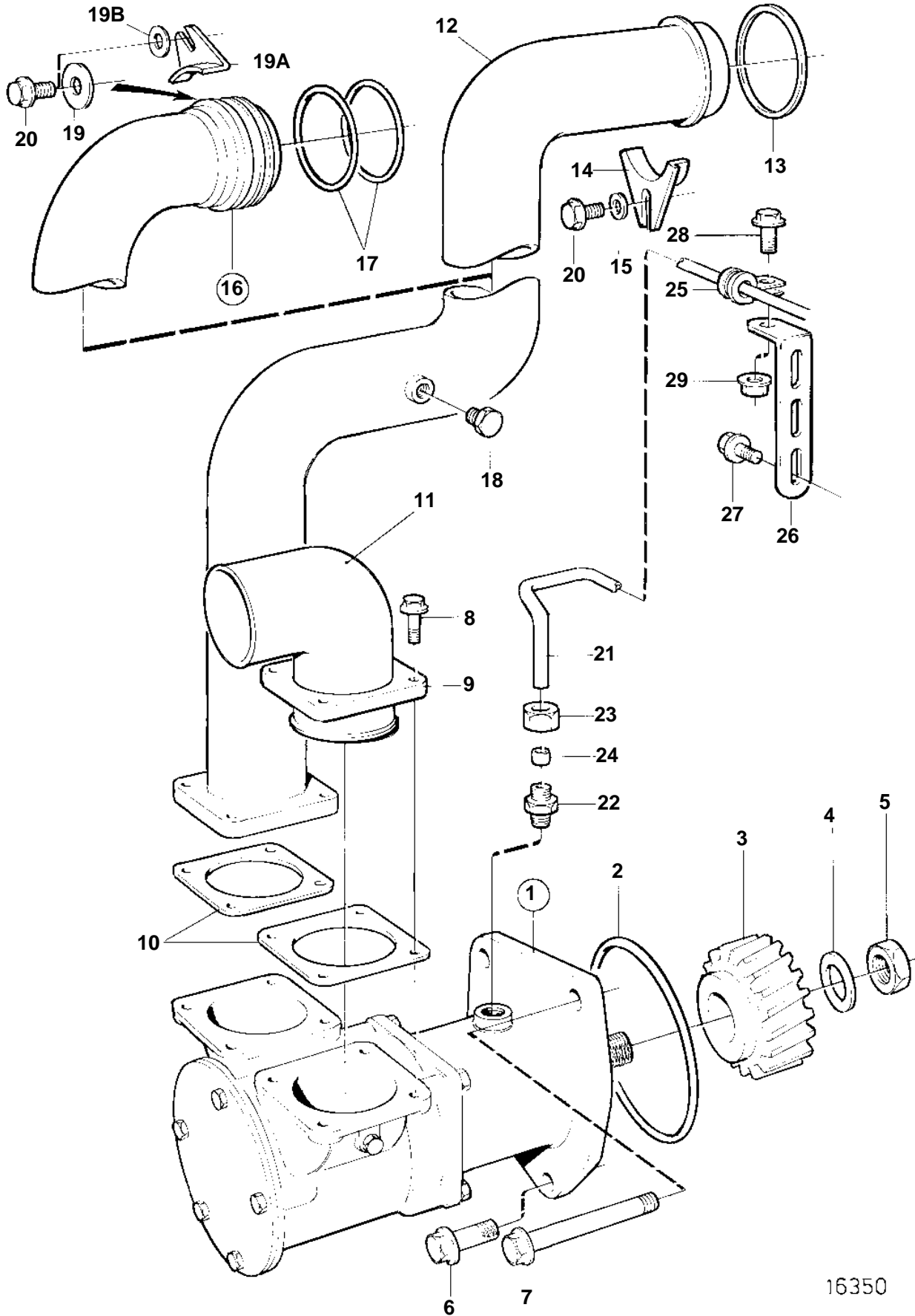


TAMD163P-A



16350

TAMD163P-A

REF	PART NO.	QTY	DESCRIPTION	SEE SEC.	NOTES
1	3825493	1	Sea water pump		
				1107	
2	975610	1	O-ring		
3	848810	1	Gear		
4	955903	1	Washer		
5	955786	1	Nut		
6	966356	1	Flange screw		
7	966368	2	Flange screw		
8	946441	8	Screw		
9	842867	1	Flange		
10	862583	2	Gasket		
11	842868	1	Hose attachment		O.D=63mm, ALT
	863294	1	Riser		O.D=57mm, ALT
12	863297	1	Tube		SN-1101051753/XXXXX. Replaced by 1 ea cooling pipe complete 876701.
13	863209	1	Sealing ring		SN-1101051753/XXXXX
14	864559	1	Clamp		SN-1101051753/XXXXX
15	976944	1	Washer		SN-1101051753/XXXXX
16	876701	1	Coolant pipe		SN1101051754/XXXXX-
17	925072	2	· O-ring		SN1101051754/XXXXX-
18	861551	1	· Plug		SN1101051754/XXXXX-
19	947354	1	Washer		SN1101051754/XXXXX-,ALT
19A	864559	1	Clamp		SN1101051754/XXXXX-,ALT
19B	976944	1	Washer		SN1101051754/XXXXX-,ALT
20	944926	1	Flange screw		
21	3825495	1	Oil feed pipe, cylinder block	1879	
22	945850	1	Nipple		
23	954356	1	Cap nut		
24	954364	1	Fitting		
25	947191	1	Clamp		
26	965561	1	Bracket, cylinder block		
27	945414	1	Screw		
28	946440	1	Flange screw		
29	945408	1	Flange nut		