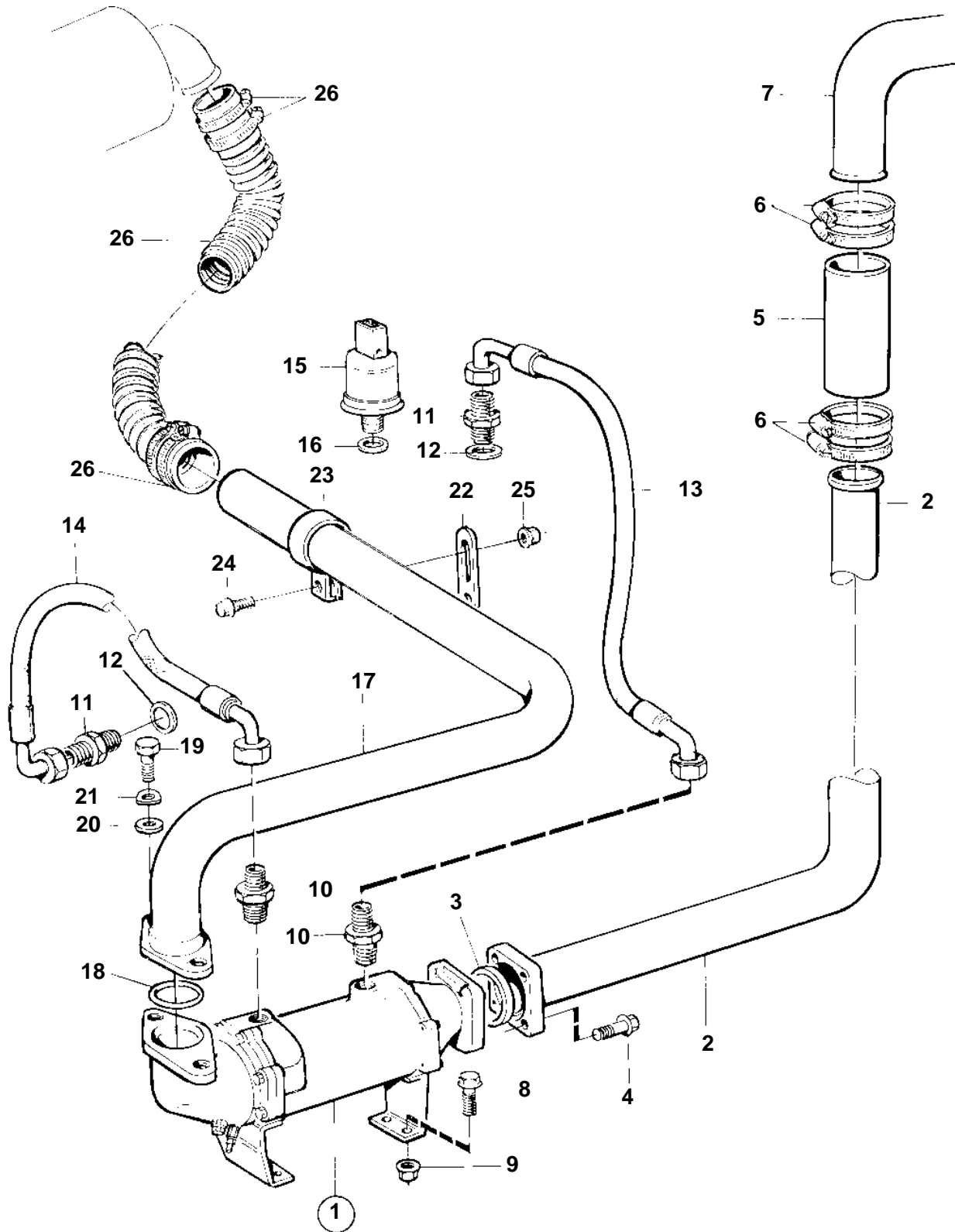


TAMD163P-A



## TAMD163P-A

REF	PART NO.	QTY	DESCRIPTION	SEE SEC.	NOTES
1		1	Oil cooler		
				1369	
2	866774	1	Coolant pipe		
3	843584	1	Sealing ring		
4	946173	4	Flange screw		
5	952980	X	Rubber hose, L=190mm		
6	961673	4	Clamp		
7		1	Coolant pipeheat exchanger	1899	
8	946472	4	Screw		
9	971095	4	Nut		
10	974337	2	Nipple		
11	943988	2	Nipple		
12	947629	2	Gasket		
13	864073	1	Oil hose		L=420mm
14	864074	1	Oil hose		L=700mm
15	866839	1	Pressure sensor, oil		
16	11998	1	Gasket		
17	863453	1	Coolant pipe		
18	925092	1	O-ring		
19	940135	2	Screw		
20	191172	2	Washer		
21	941907	2	Spring washer		
22	965535	2	Bracket		
23	32447	2	Clamp		
24	946671	2	Flange screw		
25	945408	2	Flange nut		
26		1	Connectorexhaust pipe elbow	1206	