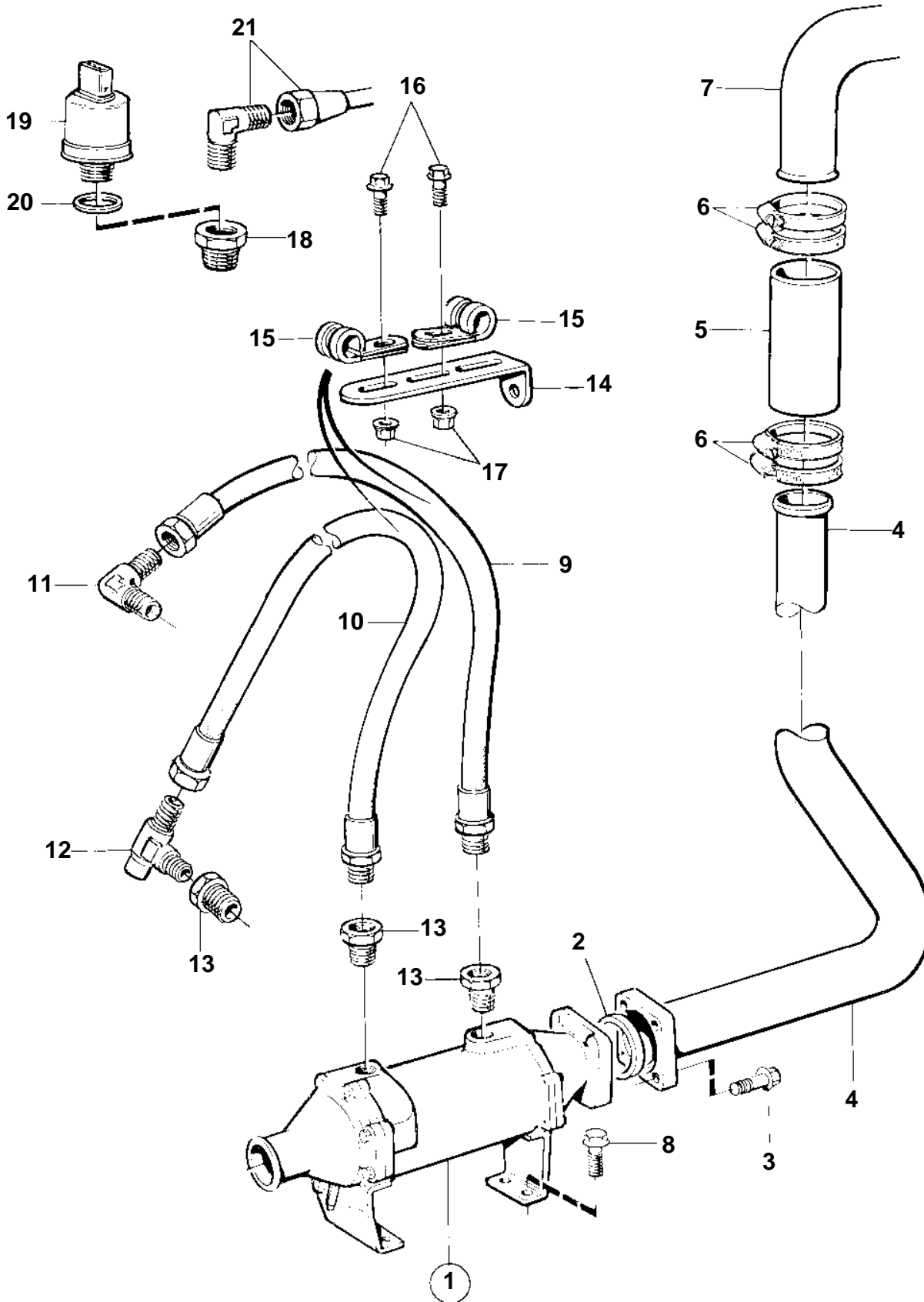


TAMD162C-C, TAMD163A-A



TAMD162C-C, TAMD163A-A

| REF | PART NO. | QTY | DESCRIPTION | SEE SEC. | NOTES |
|-----|----------|-----|------------------------|----------|----------------------|
| 1 | 3825936 | 1 | Oil cooler | NS | |
| | | | | 1985 | |
| 2 | 843584 | 1 | Sealing ring | | |
| 3 | 946173 | 4 | Flange screw | | |
| 4 | 866773 | 1 | Coolant pipe | | |
| 5 | 952980 | X | Rubber hose, L=190mm | | |
| 6 | 961673 | 4 | Clamp | | |
| 7 | 866771 | 1 | Coolant pipe, L=965mm | | K.C |
| | 866772 | 1 | Coolant pipe, L=1172mm | | HEAT EX. (973083) |
| 8 | 946329 | 4 | Flange screw | | L=1300mm |
| 9 | 863649 | 1 | Lube oil hose | | L=1550mm |
| 10 | 862156 | 1 | Hose | | |
| 11 | 837063 | 1 | Elbow union | | |
| 12 | 824479 | 1 | Elbow union | | |
| 13 | 949707 | 3 | Nipple | | |
| 14 | 965559 | 1 | Bracket | | |
| 15 | 952637 | 2 | Clamp | | |
| 16 | 946544 | 2 | Flange screw | | |
| 17 | 945407 | 2 | Flange nut | | |
| 18 | 942919 | 1 | Nipple | | |
| 19 | 866839 | 1 | Pressure sensor, oil | | STD |
| 20 | 11998 | 1 | Gasket | | ALT |
| | 947624 | 1 | Gasket | | ALT |
| 21 | | 1 | Pressure sensoroil | 2679 | CLASSIFIABLE |