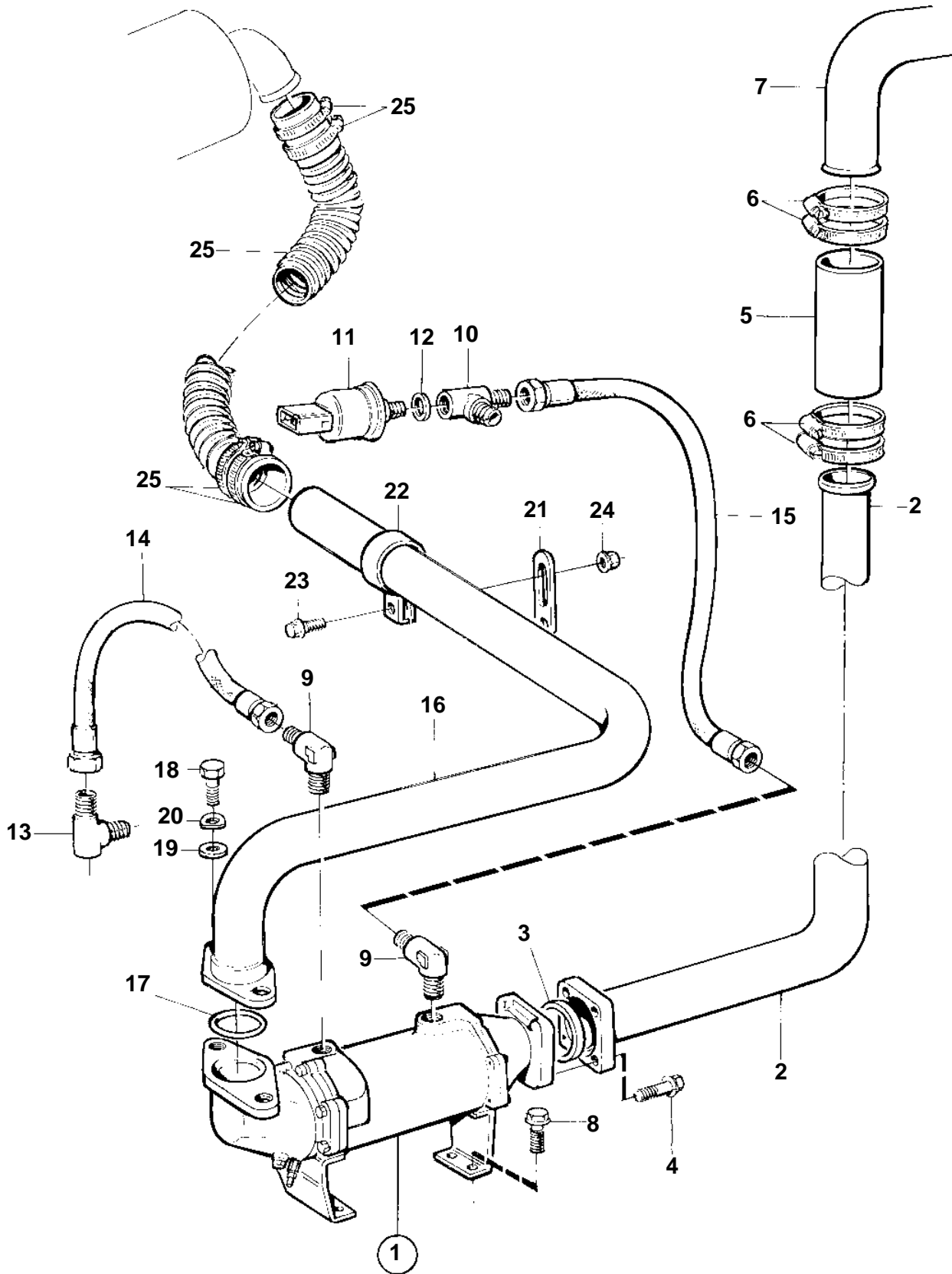


TAMD163P-A



TAMD163P-A

REF	PART NO.	QTY	DESCRIPTION	SEE SEC.	NOTES
1		1	Oil cooler		
				1369	
2	866774	1	Coolant pipe		
3	843584	1	Sealing ring		
4	946173	4	Flange screw		
5	952980	X	Rubber hose, L=130mm		
6	961673	4	Clamp		
7	866772	1	Coolant pipe, heat exchanger	1899	
8	946471	4	Screw		
9	824479	2	Elbow union		
10	842717	1	Nipple		
11	866839	1	Pressure sensor		
12	947624	1	Gasket		
13	837063	1	Elbow union		
14	848351	1	Hose		L=770mm
15	863336	1	Lube oil hose	SO	L=900mm
16	863453	1	Coolant pipe		
17	925092	1	O-ring		
18	940135	2	Screw		
19	191172	2	Washer		
20	941907	2	Spring washer		
21	965535	2	Bracket		
22	32447	2	Clamp		
23	946671	2	Flange screw		
24	945408	2	Flange nut		
25		1	Connectorexhaust pipe elbow	1206	