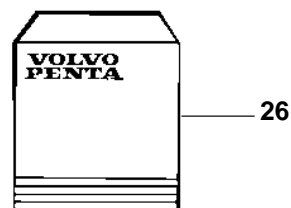
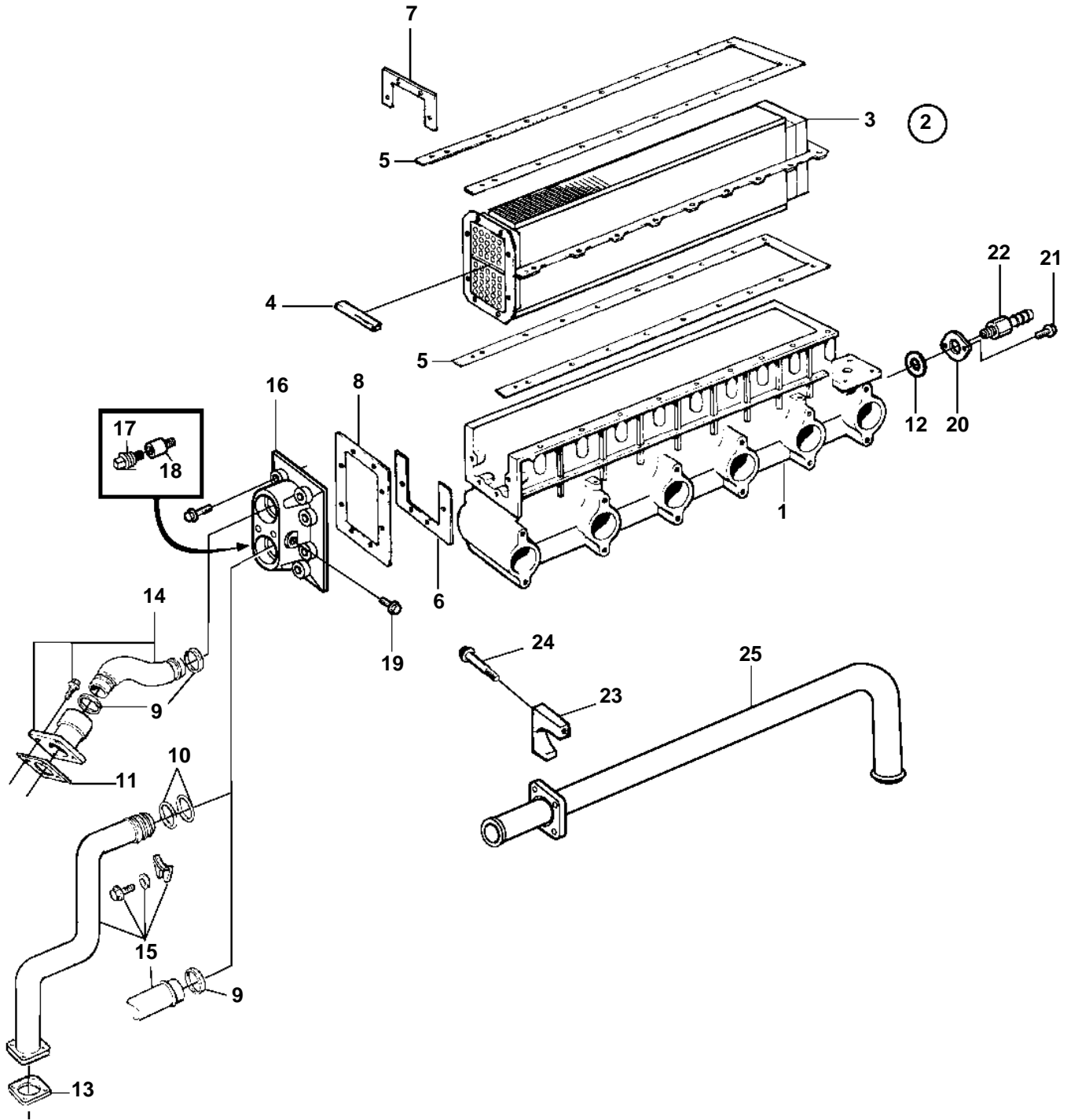


TAMD163P-A



TAMD163P-A

REF	PART NO.	QTY	DESCRIPTION	SEE SEC.	NOTES
1		1	Inlet pipe	4645	
2	876832	1	Intercooler kit		
3		1	· Intercooler		TH=4,0mm
4		1	· · Sealing strip	4645	
5		2	· Gasket	4645	
6		1	· Gasket	4645	
7		1	· Gasket	4645	
8		1	· Gasket	4645	
9	863209	X	· Sealing ring		
10	925072	X	· O-ring		
11	842137	1	· Gasket		
12	863779	1	· Sealing ring		
13	862583	1	· Gasket		
14		1	Connectorheat exchanger	1899	
15		1	Connectorsea water pump	2646	
16		1	Cover	4645	
17	838928	1	Plug		
18	838929	1	Zinc anod		
19	981749	1	Plug		(180759)
20	864462	1	Cover		
21	946173	2	Flange screw		
22	949918	1	Drain cock		
23	849401	2	Clamp		For engines in with keel cooling.
24	965178	2	Flange screw		For engines in with keel cooling.
25	866772	1	Coolant pipe, oil cooler-rev.gear		For engine mounted heat exchanger.
26		1	Gasket kit	4645	For mounting of the charge air cooler insert.. For mounting of the inlet manifold.