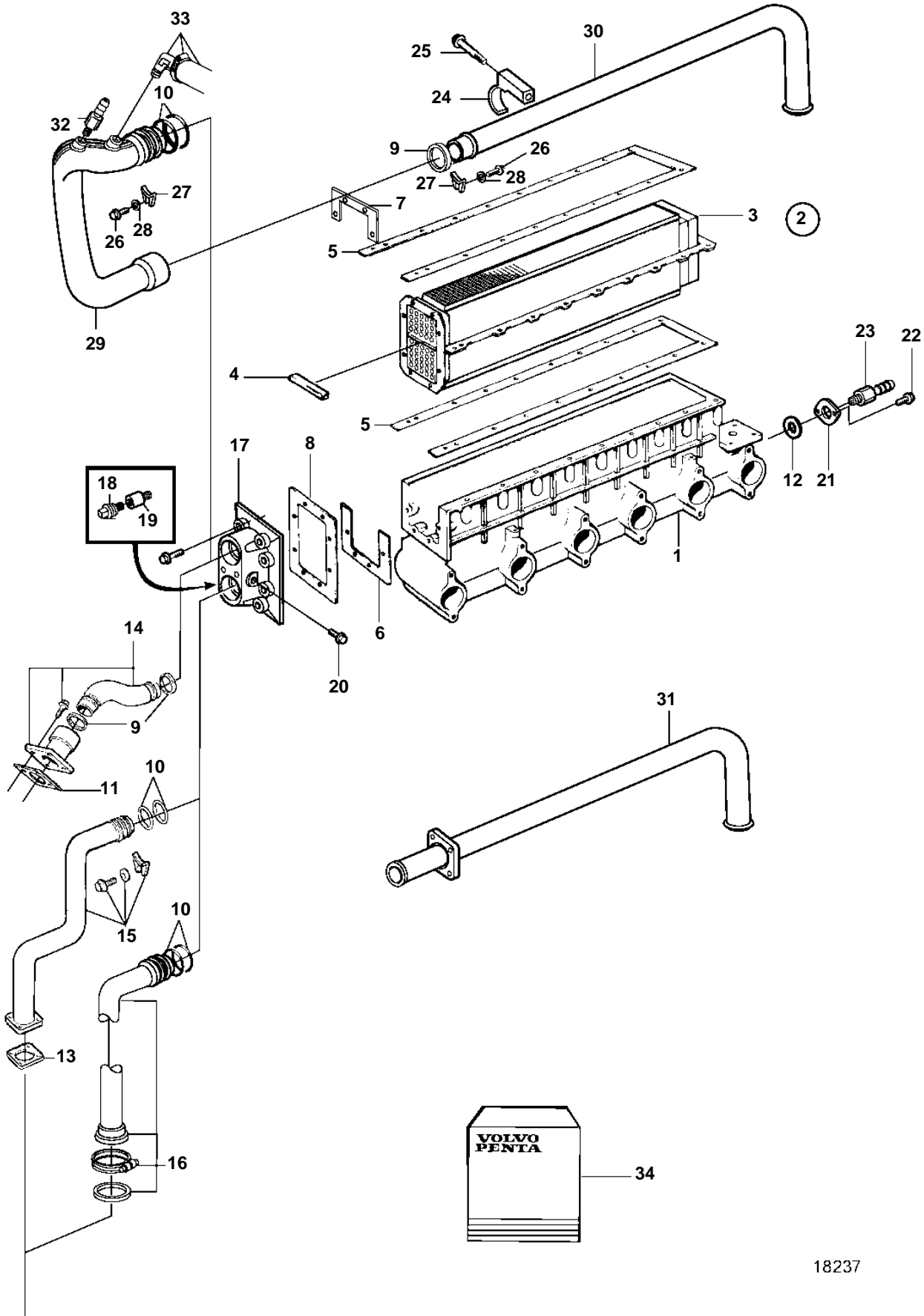


TAMD163A-A



18237

## TAMD163A-A

REF	PART NO.	QTY	DESCRIPTION	SEE SEC.	NOTES
1		1	Inlet pipe	4645	
2		1	Intercooler kit		REPL BY 876832
3		1	· Intercooler		TH=3,0mm
4		1	· · Sealing strip	4645	
5		2	· Gasket	4645	
6		1	· Gasket	4645	
7		1	· Gasket	4645	
8		1	· Gasket	4645	
9	863209	X	· Sealing ring		
10	925072	X	· O-ring		
11	842137	1	· Gasket		
12	863779	1	· Sealing ring		
13	862583	1	· Gasket		
14		1	Connectorheat exchanger	1899	
15		1	Connectorsea water pump	2646	
16		1	Connectorsea water pump	2647	
17		1	Cover	4645	
18	838928	1	Plug		
19	838929	1	Zinc anod		
20	981749	1	Plug		(180759)
21	864462	1	Cover		
22	946173	2	Flange screw		
23	949918	1	Drain cock		
24	849401	2	Clamp		For engines in with keel cooling.
25	965178	2	Flange screw		For engines in with keel cooling.
26	944926	2	Flange screw		For engines in with keel cooling.
27	864559	2	Clamp		For engines in with keel cooling.
28	976944	2	Washer		For engines in with keel cooling.
29	3825919	1	Riser		For engines in with keel cooling.
30	866771	1	Coolant pipe, oil cooler-rev.gear		For engines in with keel cooling.
31	866772	1	Coolant pipe, oil cooler-rev.gear		For engine mounted heat exchanger.
32	966871	1	Tap		
33					
34		1	Gasket kit	4645	For mounting of the charge air cooler insert.. For mounting of the inlet manifold.