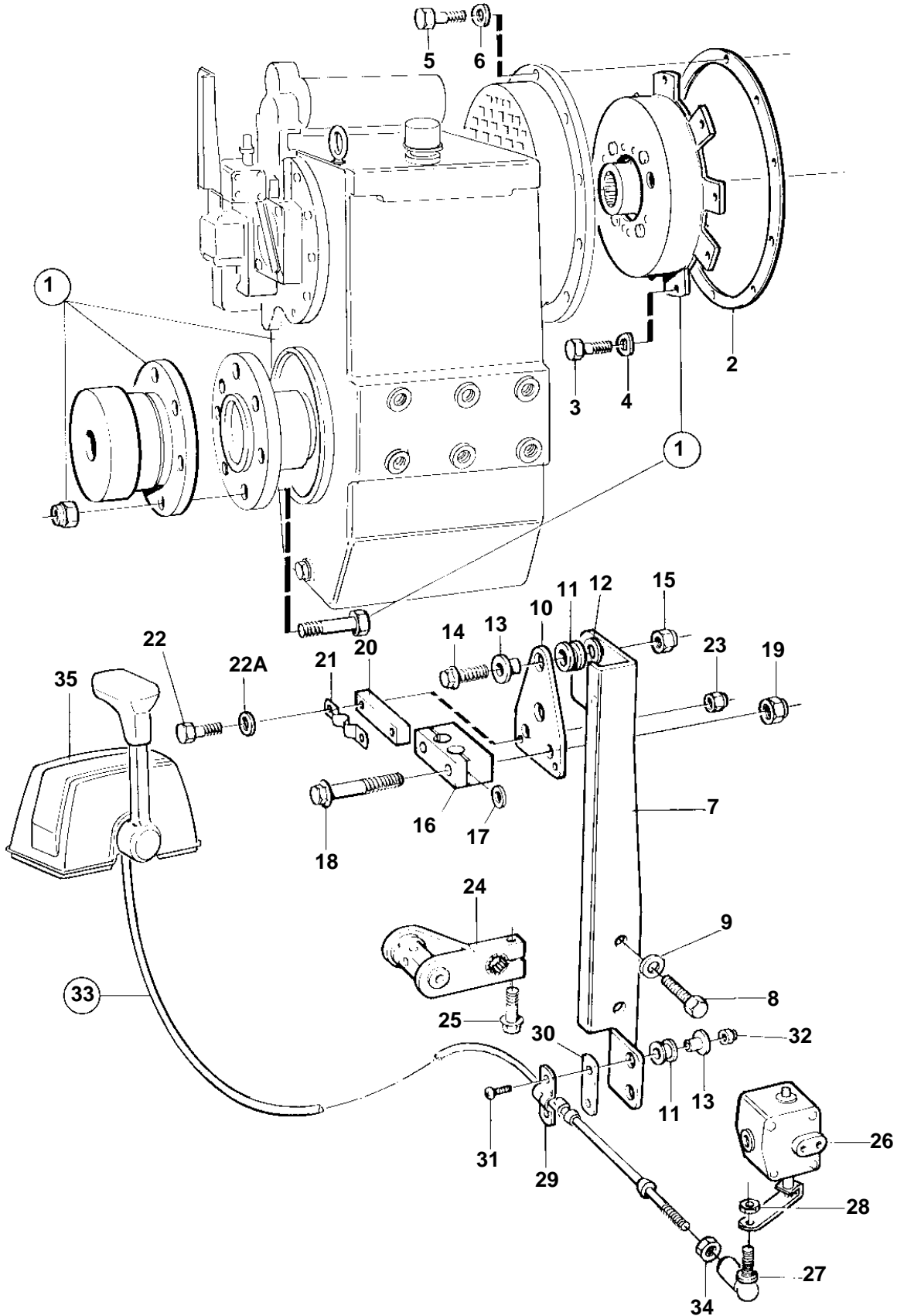


TAMD162A, TAMD162C, TAMD162C-B



TAMD162A, TAMD162C, TAMD162C-B

REF	PART NO.	QTY	DESCRIPTION	SEE SEC.	NOTES
1		1	Reversing gear		RATIO 3.07:1
		1	Reversing gear		RATIO 3.50:1
		1	Reversing gear		RATIO 4.04:1
		1	Reversing gear		RATIO 4.52:1
		1	Reversing gear		RATIO 5.05:1
		1	Reversing gear		RATIO 6.00:1
2	862661	1	Gasket		
3	955560	8	Screw		
4	940280	8	Spring washer		
5	940134	12	Screw		
6	941909	12	Spring washer		
7	863603	1	Bracket		
8	955523	2	Screw		
9	941907	2	Spring washer		
10	1140270	1	Bracket		
11	824834	4	Bushing		
12	960140	2	Washer		
13	824830	4	Spacer sleeve		
14	947542	2	Screw		
15	963105	2	Nut		
16	1140271	1	Anchorage		
17	955894	1	Washer		
18	948217	2	Flange screw		
19	963106	2	Nut		
20	1140272	1	Spacer		
21	850182	1	Cable attachment		
22	956081	2	Screw		(955249)
22A	940090	2	Washer		
23	963104	2	Nut		
24	863600	1	Lever		
25	947542	1	Screw		
26	846862	1	Slip valve		
27	813042	1	Ball joint		
28	965483	1	Nut		
29	819067	1	Brace		For control cable type 333.
	6853782	1	Clamp		For control cable type 443.
30	819068	1	Washer		
31	956080	2	Screw		
32	963104	2	Nut		
33		X	Control cable	231	
34		1	• Nut		
35		X	Control		SEE GROUP 27