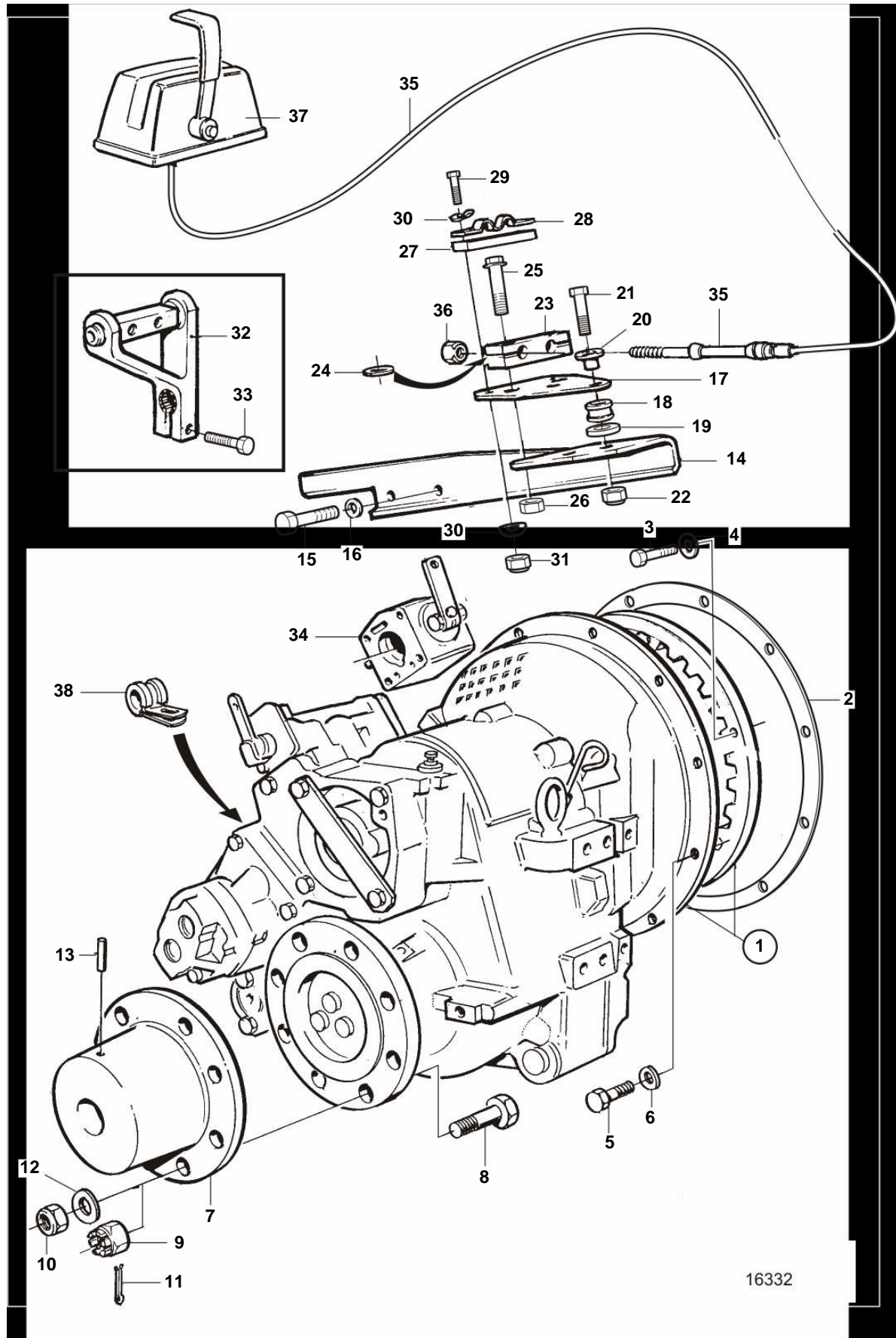


TAMD162A, TAMD162B, TAMD162C, TAMD162C-B



TAMD162A, TAMD162B, TAMD162C, TAMD162C-B

REF	PART NO.	QTY	DESCRIPTION	SEE SEC.	NOTES
1		1	Reversing gear		RATIO 1.48:1
		1	Reversing gear		RATIO 1.923:1
		1	Reversing gear		RATIO 2.444:1
2	862661	1	Gasket		
3	956619	8	Screw, L=57mm		SN-1101045954/XXXXX
		8	Screw, L=83mm		SN1101045955/XXXXX-
	955560	8	Screw, L=25mm		SN-1101050532/XXXXX
4	940280	8	Spring washer		SN1101050533/XXXXX-
5	940134	12	Screw		
6	941909	12	Spring washer		
7	844765	1	Clutch flange	SO	Pre-drilled 30 mm. max shaft 90 mm.
8	955764	8	Screw		L=70mm, FOR 955888
		8	Screw	SO	L=76mm, FOR 950380
9		8	Nut		
10	950380	8	Lock nut	SO	
11	907861	8	Cotter pin		
12		8	Washer		
13		2	Pin		TAPPER PIN 12x150mm
14	863603	1	Bracket		
15	955523	2	Screw		
16	941907	2	Spring washer		
17	1140270	1	Bracket		
18	824834	2	Bushing		
19	960140	2	Washer		
20	824830	4	Spacer sleeve		
21	947542	2	Screw		
22	963105	2	Nut		
23	1140271	1	Anchorage		
24	955894	1	Washer		
25	948217	2	Flange screw		
26	963106	2	Nut		
27	1140272	1	Spacer		
28	850182	1	Cable attachment		
29	956081	2	Screw		(955249)
30	940090	2	Washer		
31	963104	2	Nut		
32	863600	1	Lever		
33	947542	1	Screw		
34		1	Slip valve		
35		X	Control cable	231	
36		1	· Nut		
37		X	Control		SEE GROUP 27
38	949746	1	Clamp		