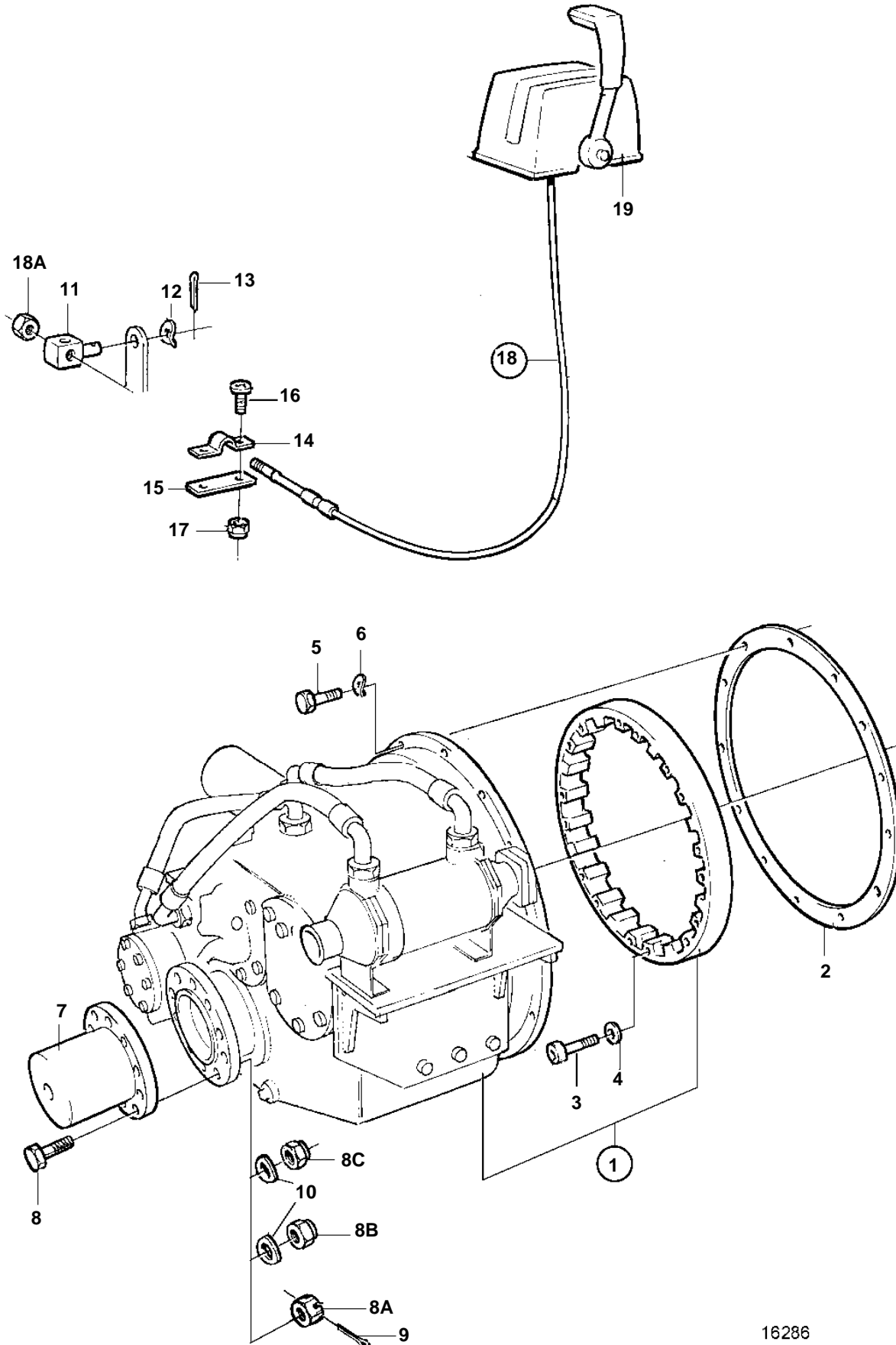


TAMD162B



16286

TAMD162B

REF	PART NO.	QTY	DESCRIPTION	SEE SEC.	NOTES
1		1	Reversing gear		RATIO 1.61:1
		1	Reversing gear		RATIO 2.11:1
		1	Reversing gear		RATIO 2.68:1
2	862661	1	Gasket		
3	955569	8	Screw, L=83mm		SN-1101050546/XXXXXX
	956621	8	Allen head screw, L=70mm		SN1101050547/XXXXX-
4	940280	8	Spring washer		SN-1101050546/XXXXXX
	968161	8	Washer		SN1101050547/XXXXX-
5	940134	12	Screw		
6	941909	12	Spring washer		
7	864087	1	Clutch flange	SO	Pre-drilled 30 mm. Max shaft 80 mm.
8	955751	10	Screw, 3/4-UNF	SO	L=64mm
		10	Screw, 3/4-UNF		L=70mm
	980253	10	Screw, M18		L=70mm
8A	955887	10	Nut, 3/4-UNF		
8B	950379	10	Nut, 3/4-UNF		
8C	943674	10	Lock nut, M18		
9	907861	10	Cotter pin		
10	941914	10	Spring washer		FOR 955751, 955752
	941913	10	Spring washer		FOR 980253
11	853217	1	Cube		
12	949607	1	Spring washer		
13	17276	1	Cotter pin		
14	819067	1	Brace		For control cable type 333.
	6853782	1	Clamp		For control cable type 443.
15	819068	2	Washer		
16	956079	2	Screw		
17	963104	2	Nut		
18		X	Control cable	231	
18A		1	· Nut		
19		X	Control		SEE GROUP 27