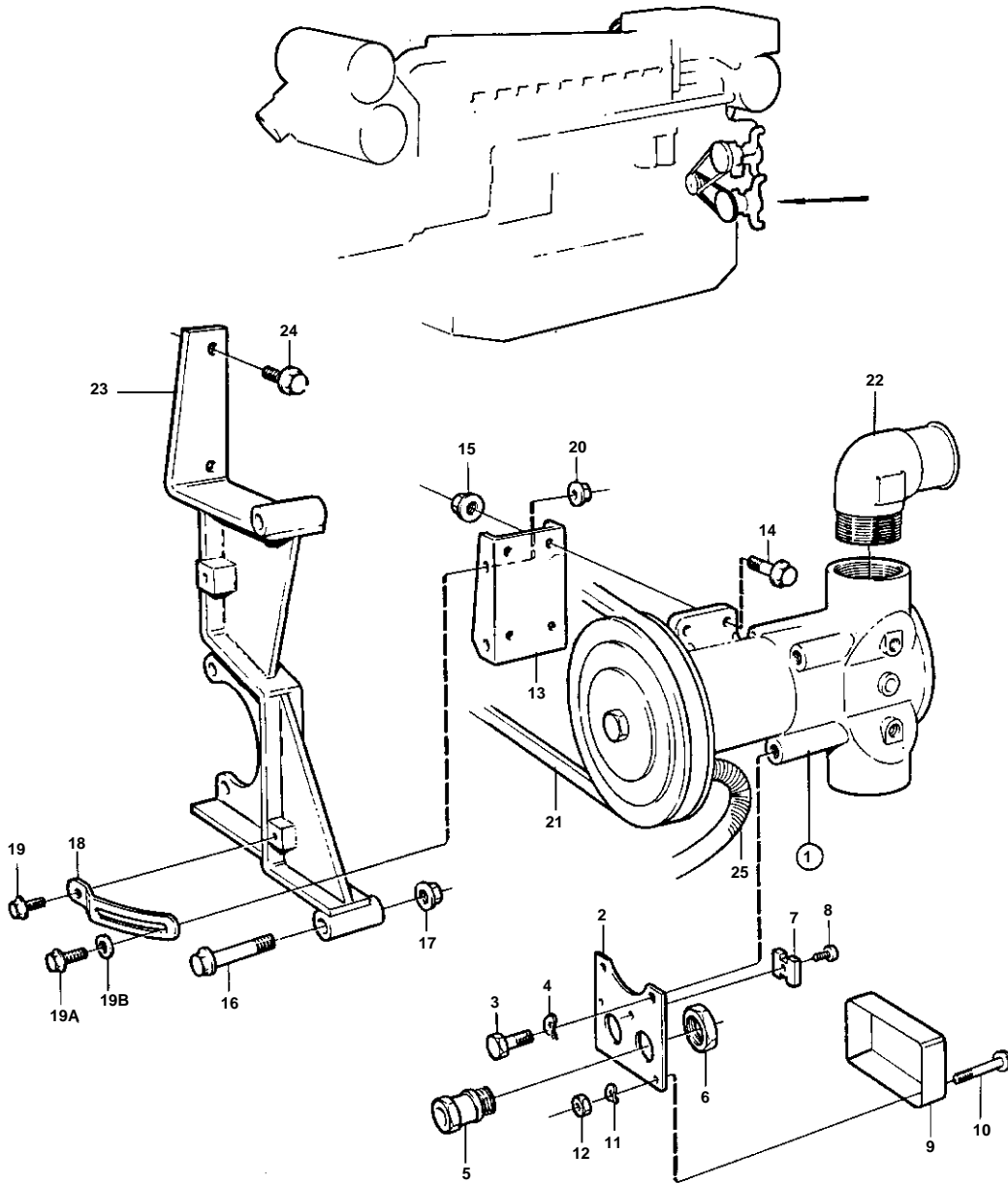


TAMD162A, TAMD162B, TAMD162C, TAMD162C-B



15791

TAMD162A, TAMD162B, TAMD162C, TAMD162C-B

| REF | PART NO. | QTY | DESCRIPTION | SEE SEC. | NOTES |
|-----|----------|-----|----------------------|----------|-------------|
| 1 | 846105 | 1 | Water pump | | |
| | | | | 1014 | |
| 2 | | 1 | Bracket | | |
| 3 | 955525 | 2 | Screw | | |
| 4 | 941907 | 2 | Spring washer | | |
| 5 | 881192 | 1 | Cable union | | 12,5-15,0mm |
| | 822327 | 1 | Cable union | | 8,5-11,5mm |
| 6 | 880243 | 2 | Nut | | |
| 7 | 926219 | 1 | Coupling piece | | |
| 8 | | 1 | ScrewM3x16mm | | |
| 9 | 837392 | 1 | Cover | | |
| 10 | 956301 | 2 | Screw | | |
| 11 | 941905 | 2 | Spring washer | | |
| 12 | 955780 | 2 | Nut | | |
| 13 | 847950 | 1 | Bracket | | |
| 14 | 946472 | 4 | Screw | | |
| 15 | 971095 | 4 | Nut | | |
| 16 | 965190 | 1 | Screw | | |
| 17 | 971095 | 1 | Nut | | |
| 18 | 840247 | 1 | Tensioner | | |
| 19 | 946173 | 1 | Flange screw | | L=20mm |
| 19A | 945444 | 1 | Flange screw | | L=25mm |
| 19B | 976944 | 1 | Washer | | (966674) |
| 20 | 945408 | 1 | Flange nut | | (968862) |
| 21 | 846361 | 1 | V-belt | | |
| 22 | 813644 | 2 | Hose attachment | | |
| 23 | 849367 | 1 | Bracket | | |
| 24 | 948217 | 2 | Flange screw | | |
| 25 | | X | Electrical materials | 1963 | |