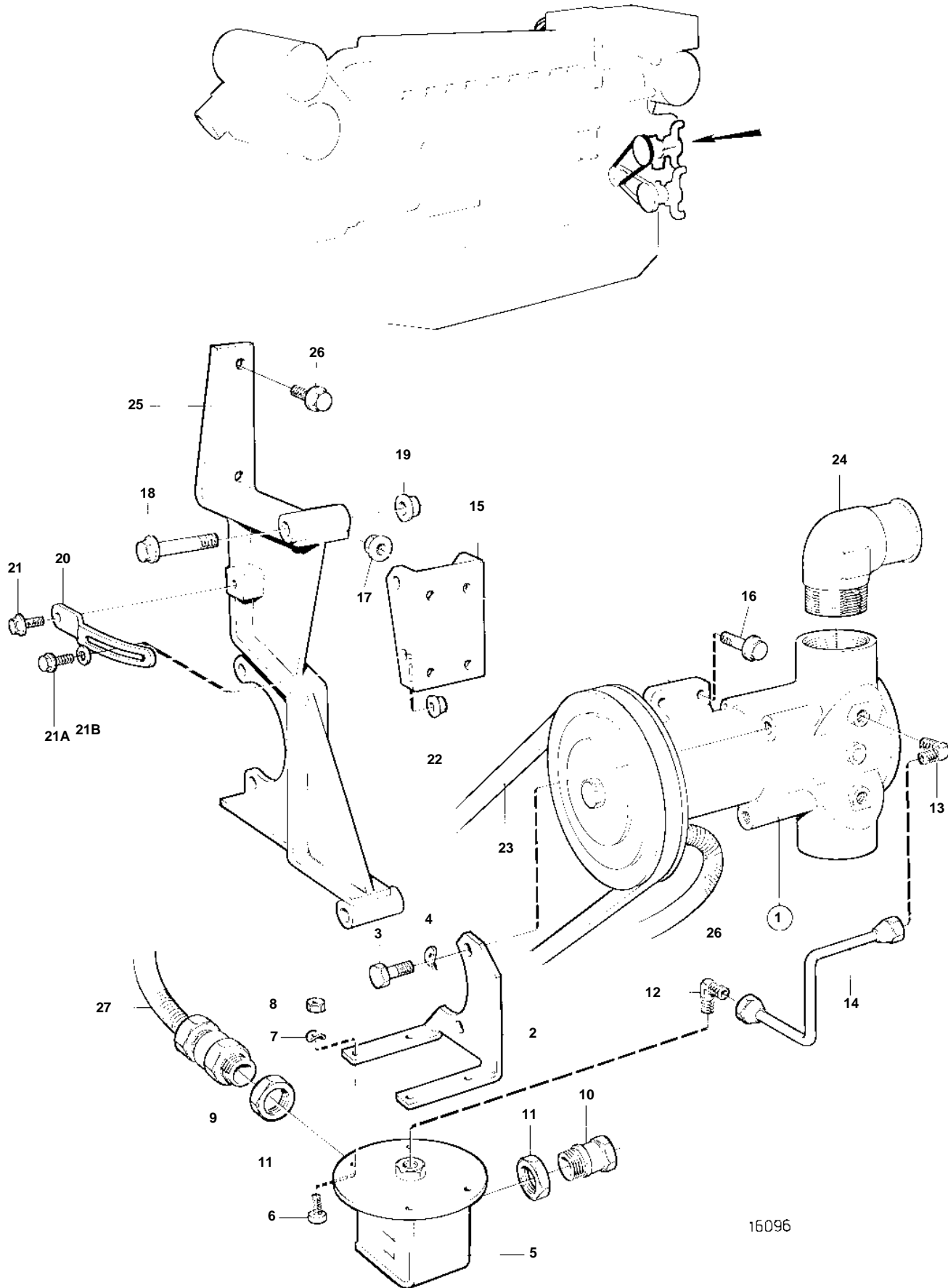


TAMD162A, TAMD162B, TAMD162C, TAMD162C-B



15096

**TAMD162A, TAMD162B, TAMD162C, TAMD162C-B**

REF	PART NO.	QTY	DESCRIPTION	SEE SEC.	NOTES
1	846105	1	Water pump	1014	
2	846218	1	Bracket		
3	955525	2	Screw		
4	941907	2	Spring washer		
5	1144047	1	Switch		
6		4	Screw		
7	941904	4	Spring washer		
8	940119	4	Nut		
9	881192	1	Cable union		
10	822327	1	Cable union		
11	880243	2	Nut		
12	944155	1	Nipple		
13	954343	1	Elbow nipple		
14	846253	1	Tube		
15	847950	1	Bracket		
16	946472	4	Screw		
17	971095	4	Nut		
18	965190	1	Screw		
19	971095	1	Nut		
20	840247	1	Tensioner		
21	946173	1	Flange screw		L=20mm
21A	945444	1	Flange screw		L=25mm
21B	976944	1	Washer		(966674)
22	945408	1	Flange nut		(968862)
23	846361	1	V-belt		
24	813644	2	Hose attachment		
25	849367	1	Bracket	1199	
26	948217	2	Flange screw		
27		X	Electrical materials	1963	