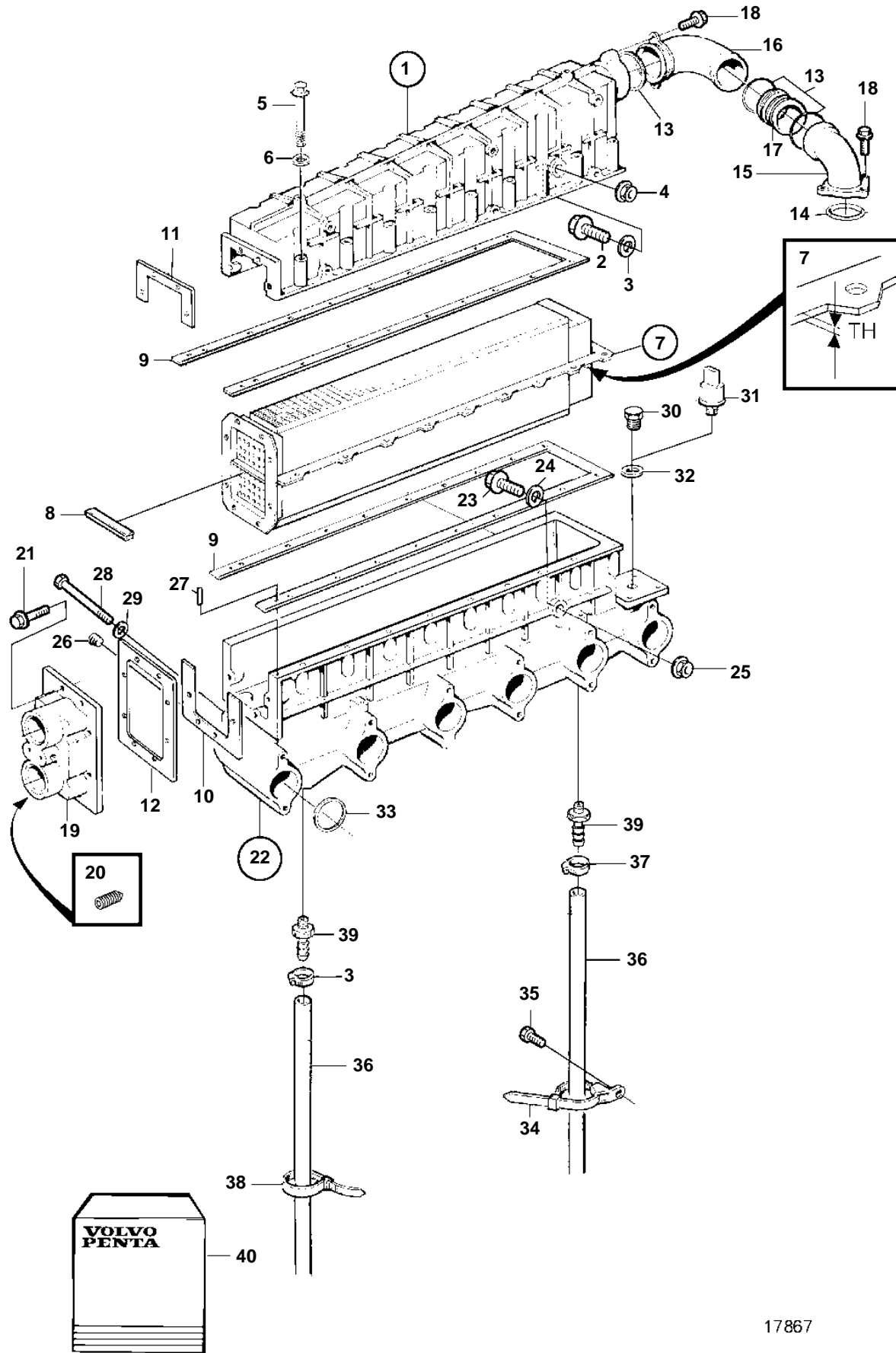


TAMD162A, TAMD162B, TAMD162C, TAMD162C-B



17867

TAMD162A, TAMD162B, TAMD162C, TAMD162C-B

REF	PART NO.	QTY	DESCRIPTION	SEE SEC.	NOTES
1	3825664	1	Inlet pipe, for support screw		REPL BY 3826928
1	3826928	1	Inlet pipe		SPARE PART DESIGN
2	3825668	2	• Screw		For fixing of the charge air cooler insert.
3	955899	2	• Washer		Remove the washer, if the support screw will be used.
4	971097	2	Nut		For fixing of the charge air cooler insert.. Only when the support screw will be used.
5	973080	18	Screw		(955308)
6	941907	18	Spring washer		
7		1	• Intercooler	4382	TH=3,0mm
8	865383	1	• • Sealing strip		
9	848790	2	• Gasket		TH = 1,0mm
			• Bulletin 47-03	47-03-EN	New Charge Air Cooler Kit
10	863117	1	• Gasket		
11	863118	1	• Gasket		
12	3828317	1	• Gasket		
13	3825197	3	• Sealing ring		
14	863016	1	• Sealing ring		
15	863017	1	Connection pipe, turbo		
16	863018	1	Connection pipe		
17	866740	1	Intermediate pipe		
18	946173	6	Flange screw		
19	848789	1	Cover		Replaced by 1ea 3828249 cover, 1ea 946847 ground screw and 8ea 947760 flange screw.
21	945444	8	Flange screw		L=16mm
22	3825666	1	Inlet pipe, for support screw		REPL BY 3826929
22	3826929	1	Inlet pipe		SPARE PART DESIGN
23	3825668	2	• Screw		For fixing of the charge air cooler insert.
24	955899	2	• Washer		For fixing of the charge air cooler insert.
25	971097	2	Nut		For fixing of the charge air cooler insert.. Only when the support screw will be used.
27	950545	2	Pin		
28	955313	11	Screw		L=160mm
	968303	1	Screw		L=190mm
29	941907	12	Spring washer		
30	960632	1	Plug		
31		1	Pressure sensorturbo	4585	
32	947624	1	Gasket		
33	1543172	6	Sealing ring		
34	1578046	1	Retainer		
35	969422	1	Screw, cylinder block		
36	942700	X	Hose		L=850mmx2
37	961662	2	Clamp		
38	948211	3	Strip clamp		
39	180003	2	Nipple		
40	876805	1	Gasket kit		For mounting of the inlet manifold. Bring also 4 pcs sealing rings 3825197 and 1 pc sealing ring 863016.
	876845	1	Gasket kit		TH=3,0mm. For mounting of the charge air cooler insert.