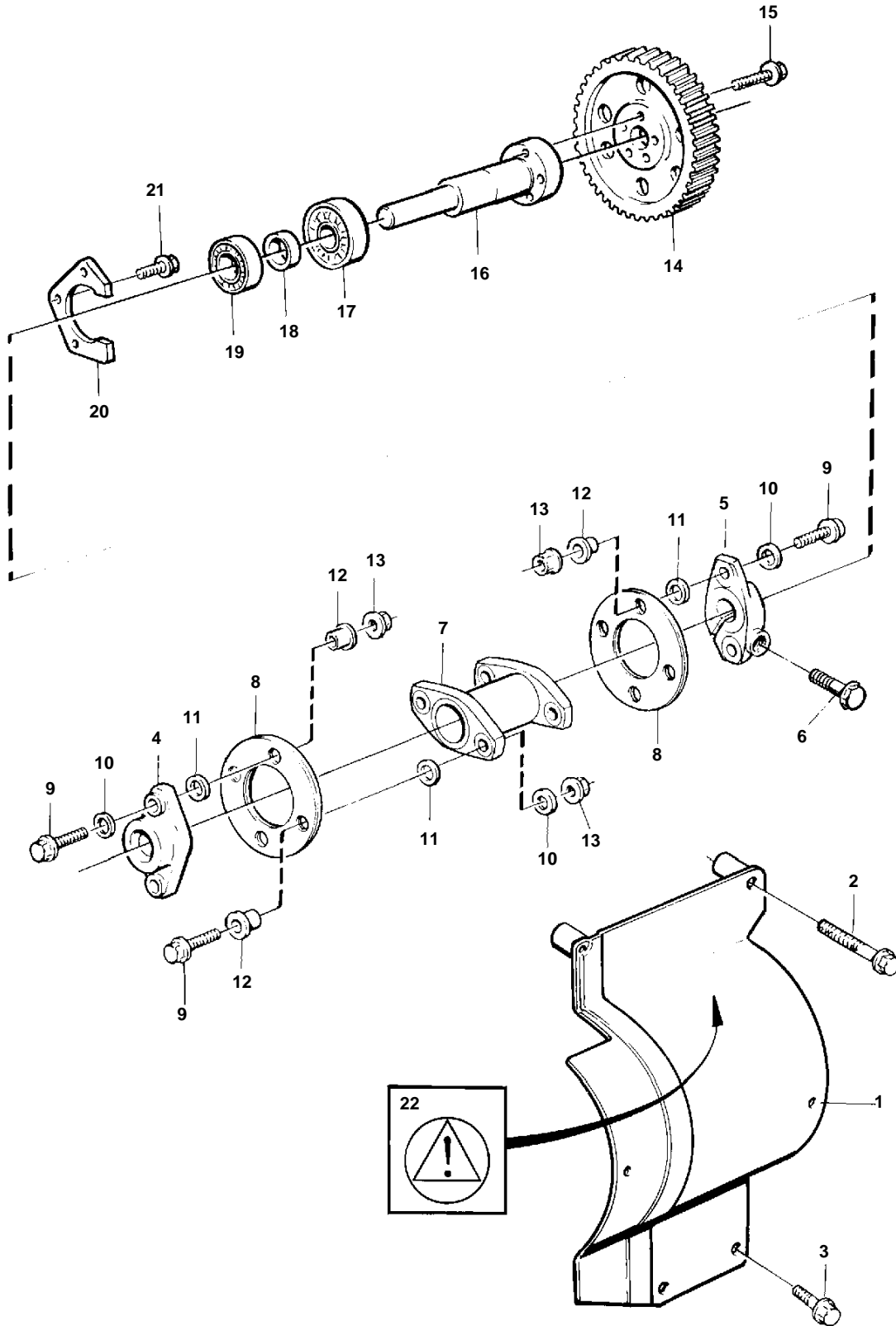


TAMD162A, TAMD162B, TAMD162C, TAMD162C-B



TAMD162A, TAMD162B, TAMD162C, TAMD162C-B

| REF | PART NO. | QTY | DESCRIPTION | NOTES |
|-----|----------|-----|-------------------------|----------|
| 1 | 863552 | 1 | Pump coupling guard | |
| 2 | 946470 | 1 | Flange screw | |
| 3 | 947107 | 2 | Flange screw | |
| 4 | 1543975 | 1 | Companion flange, rear | |
| 5 | 1547352 | 1 | Companion flange, front | |
| 6 | 471529 | 1 | Screw | |
| 7 | 1543804 | 1 | Intermediate section | |
| 8 | 479458 | 8 | Disc | |
| 9 | 965185 | 8 | Flange screw | |
| 10 | 976945 | 8 | Washer | (960148) |
| 11 | 479399 | 8 | Washer | |
| 12 | 478897 | 8 | Sleeve | |
| 13 | 971095 | 8 | Nut | |
| 14 | 1543447 | 1 | Gear | |
| 15 | 946752 | 5 | Flange screw | |
| 16 | 1543551 | 1 | Shaft | |
| 17 | 184708 | 1 | Ball bearing | |
| 18 | 1546132 | 1 | Stop ring | |
| 19 | 11014 | 1 | Ball bearing | |
| 20 | 1543464 | 1 | Lock washer | |
| 21 | 945444 | 3 | Flange screw | |
| 22 | 3827294 | 1 | Decal | |