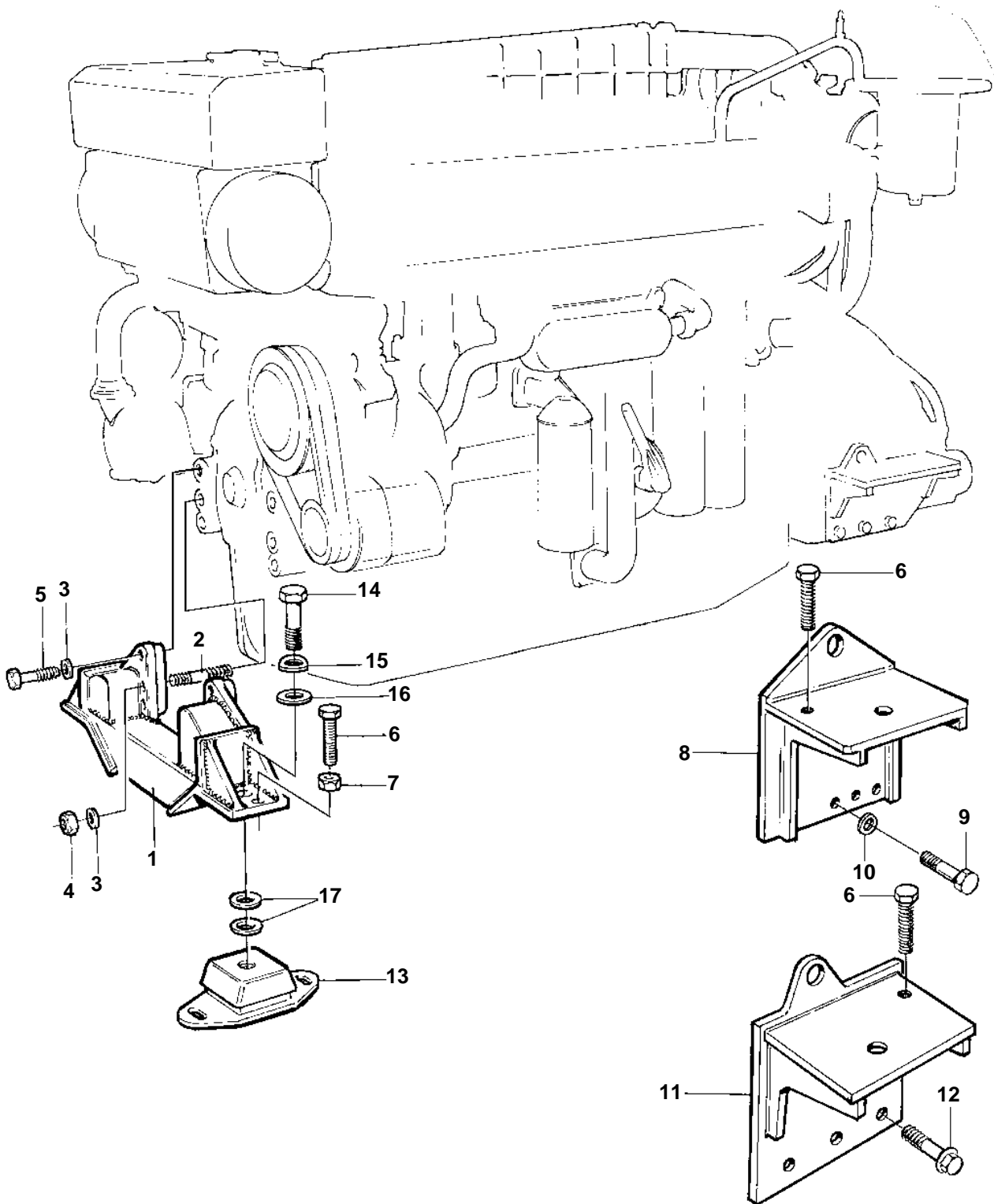


TAMD162A, TAMD162B, TAMD162C, TAMD162C-B



16343

TAMD162A, TAMD162B, TAMD162C, TAMD162C-B

REF	PART NO.	QTY	DESCRIPTION		NOTES
1	862295	1	Engine bracket		SN-1101050777/XXXXX
	866935	1	Engine bracket	SO	SN1101050778/XXXXX-
2	973202	5	Stud		
3	941911	6	Spring washer		
4	961994	5	Nut		
5	971006	1	Screw		
6	977987	X	Adjuster screw		
7	971072	2	Nut		
11	863692	1	Bracket	SO	P
	863691	1	Bracket, oil cooler-rev.gear	SO	S.B
12	968436	12	Flange screw		
13	862348	4	Rubber element		
14	955390	4	Screw		
15	941914	4	Spring washer		
16	863273	4	Washer		
17	849953	8	Spacer		TH=0,5mm
	849954	8	Spacer		TH = 1,0mm
	849955	8	Spacer		TH=3,0mm