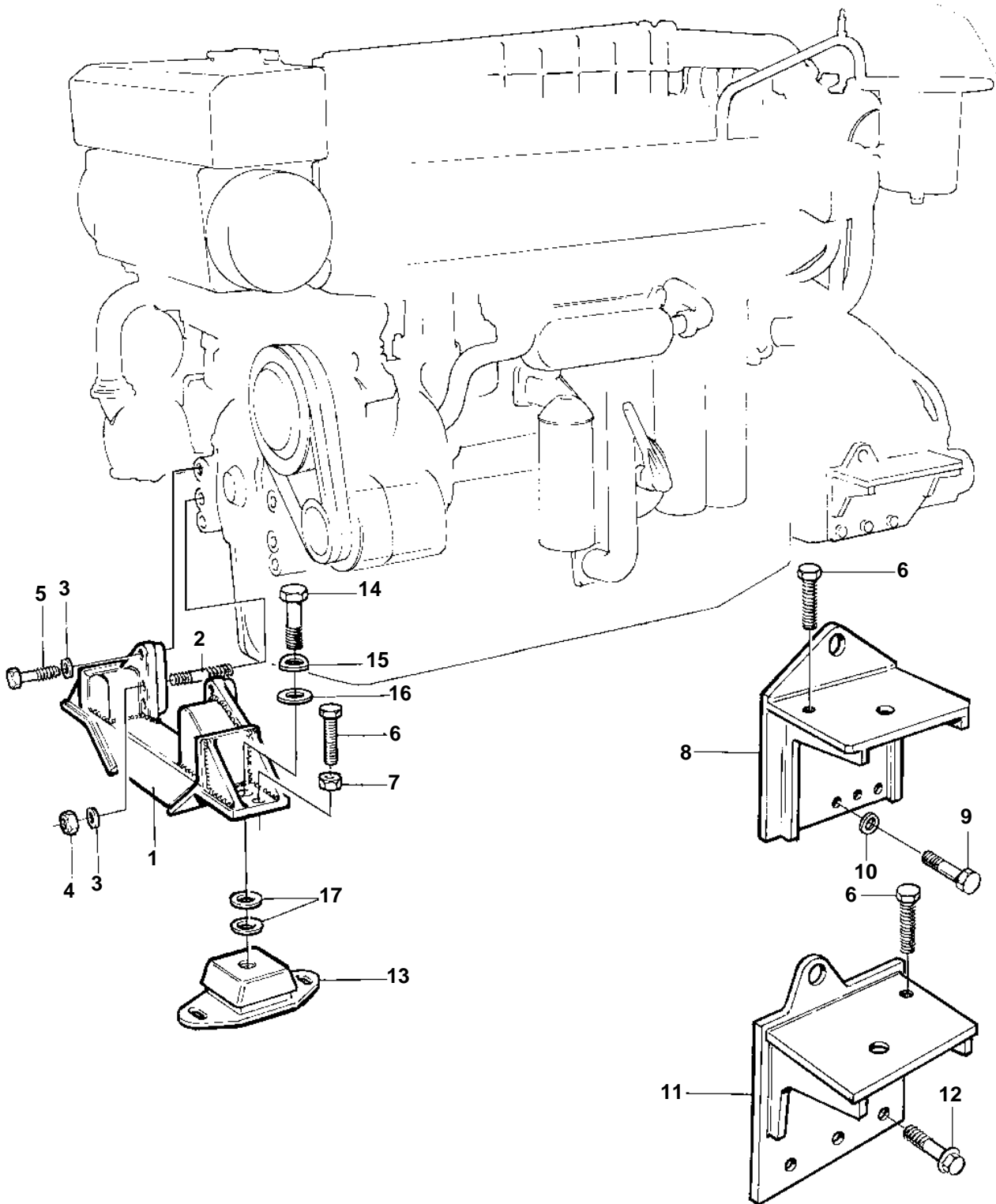


TAMD162A, TAMD162B, TAMD162C, TAMD162C-B



16343

TAMD162A, TAMD162B, TAMD162C, TAMD162C-B

REF	PART NO.	QTY	DESCRIPTION	NOTES
1	862295	1	Engine bracket	SN-1101050777/XXXXX
	866935	1	Engine bracket	SO SN1101050778/XXXXX-
2	973202	5	Stud	
3	941911	6	Spring washer	
4	961994	5	Nut	
5	971006	1	Screw	
6	977987	X	Adjuster screw	
7	971072	2	Nut	
8		1	Bracket	P
		1	Bracket, oil cooler-rev.gear	S.B
9	955590	12	Screw	
10	941912	12	Spring washer	
13	862348	4	Rubber element	
14	955390	4	Screw	
15	941914	4	Spring washer	
16	863273	4	Washer	
17	849953	8	Spacer	TH=0,5mm
	849954	8	Spacer	TH = 1,0mm
	849955	8	Spacer	TH=3,0mm