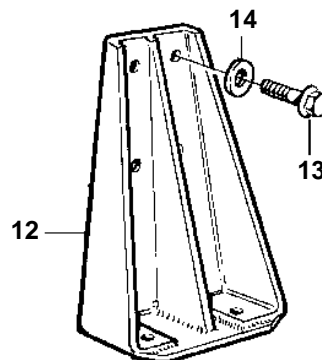
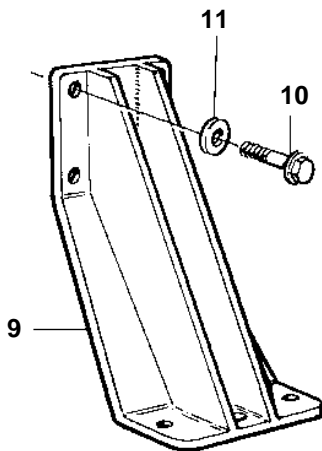
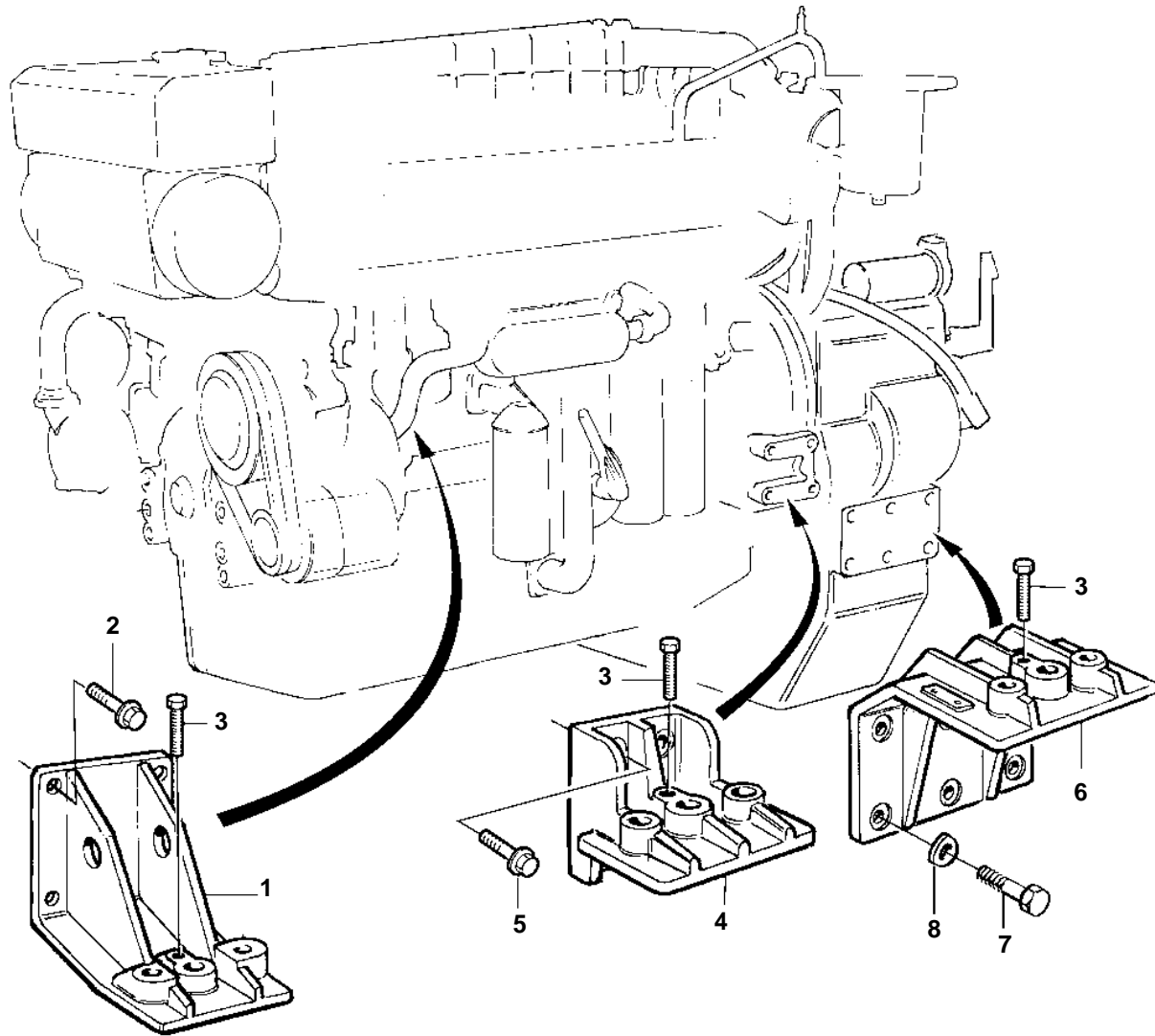


TAMD162A, TAMD162C, TAMD162C-B



TAMD162A, TAMD162C, TAMD162C-B

REF	PART NO.	QTY	DESCRIPTION	NOTES
9		2	Engine bracket	SN-1101050773/XXXXX. Replaced by 866512.
	866512	2	Engine bracket	SN1101050774/XXXXX-
10	955363	8	Screw, L=35mm	SN-1101050773/XXXXX
	968435	8	Flange screw, L=40mm	SN1101050774/XXXXX-
	968437	2	Flange screw, emergency shut-off valve	
11	955900	8	Washer	SN-1101050773/XXXXX
	955900	4	Washer, emergency shut-off valve	
12	848772	2	Engine bracket	
13	968435	4	Flange screw, L=40mm	
	968437	4	Flange screw, L=80mm	
14	955900	4	Washer	